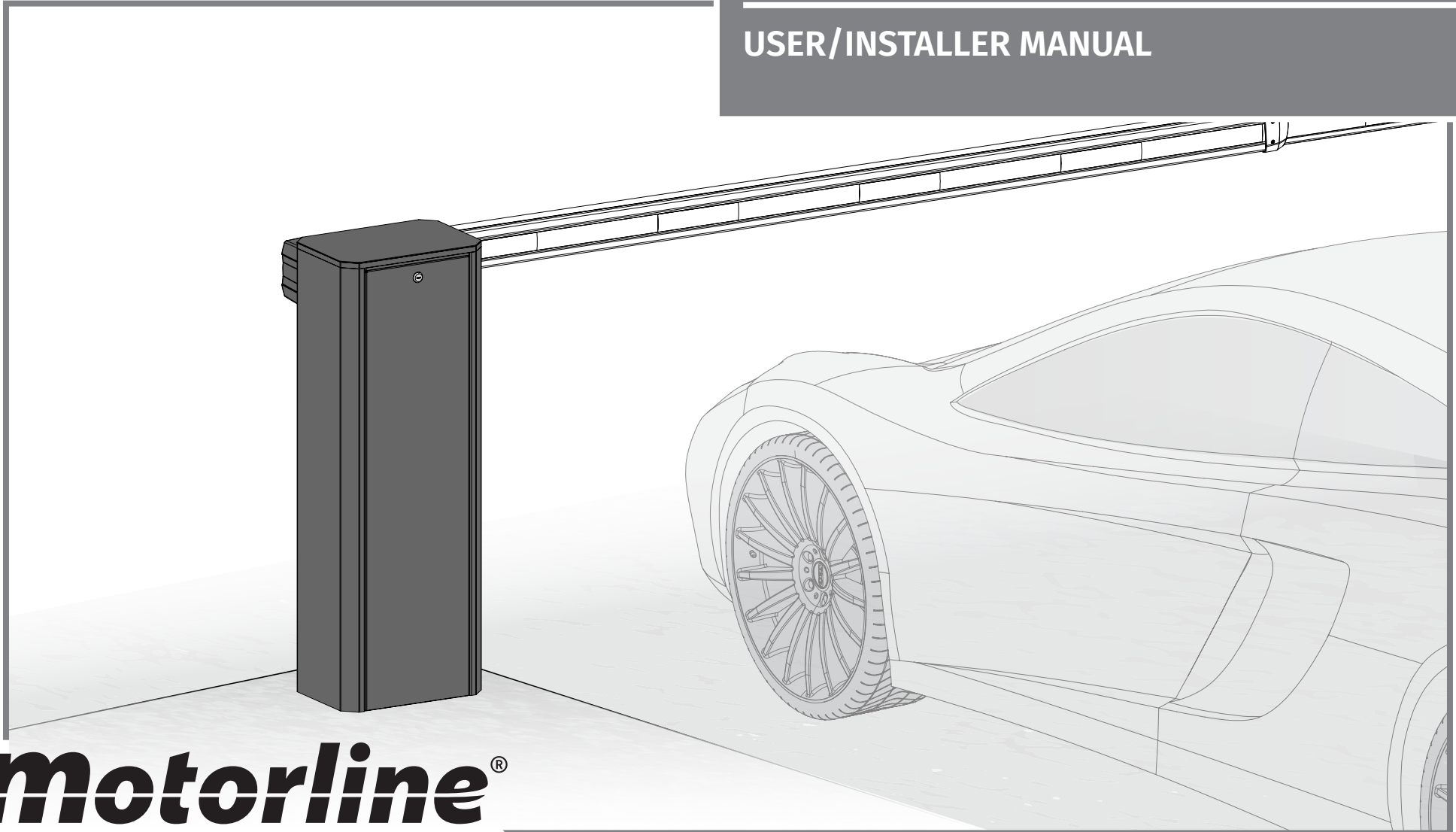




TURBO

USER/INSTALLER MANUAL









00. CONTENT

INDEX

| | |
|--|-----------|
| 01. SAFETY INSTRUCTIONS | 1B |
| 02. AUTOMATISM | |
| TECHNICAL CHARACTERISTICS | 4A |
| COMPATIBLE COMPONENTS | 4B |
| DIMENSIONS | 5A |
| 03. INSTALLATION | |
| INSTALLATION AND ADJUSTING PROCESS | 5B |
| INSTALLATION MAP EXAMPLE | 6 |
| DOOR OPENING | 7A |
| MANUALLY MOVE THE BOOM | 7A |
| AUTOMATION INSTALLATION | 7B |
| POWER CABLE | 8A |
| BOOM ASSEMBLY | 8B |
| FIX BOOM SUPPORTS (OPTIONAL) | 9 |
| REVERSE BOOM POSITION | 10A |
| CHANGE FROM 2 SPRINGS TO 1 | 10B |
| TUNE THE SPRING | 11 |
| TUNING TABLE | 12A |
| TEST SPRING ADJUSTMENT | 12B |
| 04. CONNECTIONS | |
| CONNECTION DIAGRAM | 13 |
| CONNECTION DIAGRAM - MM90-RGB MODULE (OPTIONAL) | 14A |
| CONNECTION DIAGRAM - MASTER/SLAVE (OPTIONAL) | 14B |
| 05. TROUBLESHOOTING | |
| INSTRUCTIONS FOR END CONSUMERS / SPECIALIZED TECHNICIANS | 15 |
| 06. MAINTENANCE | |
| MAINTENANCE TASKS AND FREQUENCY | 16 |

01. SAFETY INSTRUCTIONS

| | |
|---|---|
|  | This product is certified in accordance with European Community (EC) safety standards. |
|  | This product complies with Directive 2011/65/EU of the European Parliament and of the Council, of 8 June 2011, on the restriction of the use of certain hazardous substances in electrical and electronic equipment and with Delegated Directive (EU) 2015/863 from Commission. |
|  | (Applicable in countries with recycling systems). This marking on the product or literature indicates that the product and electronic accessories (eg. Charger, USB cable, electronic material, controls, etc.) should not be disposed of as other household waste at the end of its useful life. To avoid possible harm to the environment or human health resulting from the uncontrolled disposal of waste, separate these items from other types of waste and recycle them responsibly to promote the sustainable reuse of material resources. Home users should contact the dealer where they purchased this product or the National Environment Agency for details on where and how they can take these items for environmentally safe recycling. Business users should contact their vendor and check the terms and conditions of the purchase agreement. This product and its electronic accessories should not be mixed with other commercial waste. |
|  | This marking indicates that batteries should not be discarded like other household waste at the end of their useful life. Batteries must be delivered to selective collection points for recycling. |
|  | The different types of packaging (cardboard, plastic, etc.) must be subject to selective collection for recycling. Separate packaging and recycle it responsibly. |
|  | This marking indicates that the product and electronic accessories (eg. charger, USB cable, electronic material, controls, etc.) are susceptible to electric shock by direct or indirect contact with electricity. Be cautious when handling the product and observe all safety procedures in this manual. |

01. SAFETY INSTRUCTIONS

GENERAL WARNINGS

- This manual contains very important safety and usage information. Read all instructions carefully before beginning the installation/usage procedures and keep this manual in a safe place that it can be consulted whenever necessary.
- This product is intended for use only as described in this manual. Any other enforcement or operation that is not mentioned is expressly prohibited, as it may damage the product and put people at risk causing serious injuries.
- This manual is intended firstly for specialized technicians, and does not invalidate the user's responsibility to read the "User Norms" section in order to ensure the correct functioning of the product.
- The installation and repair of this product may be done by qualified and specialized technicians, to assure every procedure are carried out in accordance with applicable rules and norms. Nonprofessional and inexperienced users are expressly prohibited of taking any action, unless explicitly requested by specialized technicians to do so.
- Installations must be frequently inspected for unbalance and the wear signals of the cables, springs, hinges, wheels, supports and other mechanical assembly parts.
- Do not use the product if it is necessary repair or adjustment is required.
- When performing maintenance, cleaning and replacement of parts, the product must be disconnected from power supply. Also including any operation that requires opening the product cover.
- The use, cleaning and maintenance of this product may be carried out by any persons aged eight years old and over and persons whose physical, sensorial or mental capacities are lower, or by persons without any knowledge of the product, provided that these are supervision and instructions given by persons with experienced in terms of usage of the product in a safe manner and who understands the risks and dangers involved.

- Children shouldn't play with the product or opening devices to avoid the motorized door or gate from being triggered involuntarily.
- If the power cable is damaged, it must be replaced by the manufacturer, after-sales service or similarly qualified personnel to avoid danger.
- The device must be disconnected from the electrical network when removing the battery.
- Ensure that blocking is avoided between the actuated part and its fixed parts due to the opening movement of the actuated part.

WARNINGS FOR TECHNICIANS

- Before beginning the installation procedures, make sure that you have all the devices and materials necessary to complete the installation of the product.
- You should note your Protection Index (IP) and operating temperature to ensure that is suitable for the installation site.
- Provide the manual of the product to the user and let them know how to handle it in an emergency.
- If the automatism is installed on a gate with a pedestrian door, a door locking mechanism must be installed while the gate is in motion.
- Do not install the product "upside down" or supported by elements do not support its weight. If necessary, add brackets at strategic points to ensure the safety of the automatism.
- Do not install the product in explosive site.
- Safety devices must protect the possible crushing, cutting, transport and danger areas of the motorized door or gate.
- Verify that the elements to be automated (gates, door, windows, blinds, etc.) are in perfect function, aligned and level. Also verify if the necessary mechanical stops are in the appropriate places.
- The control board must be installed on a safe place of any fluid (rain, moisture, etc.), dust and pests.
- You must route the various electrical cables through protective tubes, to protect them against mechanical exertions, essentially on

01. SAFETY INSTRUCTIONS

the power supply cable. Please note that all the cables must enter the control board from the bottom.

- If the automatism is to be installed at a height of more than 2,5m from the ground or other level of access, the minimum safety and health requirements for the use of work equipment workers at the work of Directive 2009/104/CE of European Parliament and of the Council of 16 September 2009.
- Attach the permanent label for the manual release as close as possible to the release mechanism.
- Disconnect means, such as a switch or circuit breaker on the electrical panel, must be provided on the product's fixed power supply leads in accordance with the installation rules.
- If the product to be installed requires power supply of 230Vac or 110Vac, ensure that connection is to an electrical panel with ground connection.
- The product is only powered by low voltage safety with control board (only at 24V motors).
- Parts/products weighing more than 20 kg must be handled with special care due to the risk of injury. It is recommended to use suitable auxiliary systems for moving or lifting heavy objects.
- Pay special attention to the danger of falling objects or uncontrolled movement of doors/gates during the installation or operation of this product.

WARNINGS FOR USERS

- Keep this manual in a safe place to be consulted whenever necessary.
- If the product has contact with fluids without being prepared, it must immediately disconnect from the power supply to avoid short circuits, and consult a specialized technician.
- Ensure that technician has provided you the product manual and informed you how to handle the product in an emergency.
- If the system requires any repair or modification, unlock the automatism, turn off the power and do not use it until all safety

conditions have been met.

- In the event of tripping of circuits breakers or fuse failure, locate the malfunction and solve it before resetting the circuit breaker or replacing the fuse. If the malfunction is not repairable by consult this manual, contact a technician.
- Keep the operation area of the motorized gate free while the gate in in motion, and do not create strength to the gate movement.
- Do not perform any operation on mechanical elements or hinges if the product is in motion.

RESPONSABILITY

- Supplier disclaims any liability if:
 - Product failure or deformation result from improper installation use or maintenance!
 - Safety norms are not followed in the installation, use and maintenance of the product.
 - Instructions in this manual are not followed.
 - Damaged is caused by unauthorized modifications
 - In these cases, the warranty is voided.

MOTORLINE ELECTROCELOS SA.

Travessa do Sobreiro, nº29
4755-474 Rio Côvo (Santa Eugénia)
Barcelos, Portugal

SYMBOLS LEGEND:



• Important safety notices



• Useful information



• Programming information



• Potentiometer information



• Connectors information



• Buttons information

02. AUTOMATISM

TECHNICAL CHARACTERISTICS

TURBO barriers are designed for access control in garages and parking lots. Perfect running performance, achieved by electronic speed control and optimized mechanics to protect the motor and gear. An efficient drive concept with a powerful 24Vdc= BLDC gear and robust components guarantee intensive operation with a 100% working cycle.

TURBO offers an extendable boom that can change the opening time with different lengths, as well as accessories suitable for different purposes, for example, LED lighting on the boom and safety devices.



The operational forces of the barriers are certified according to EN 12453. Automatic obstacle detection provides additional safety. The boom automatically opens and reverses if an obstacle is encountered; This ensures that vehicles will never get stuck.

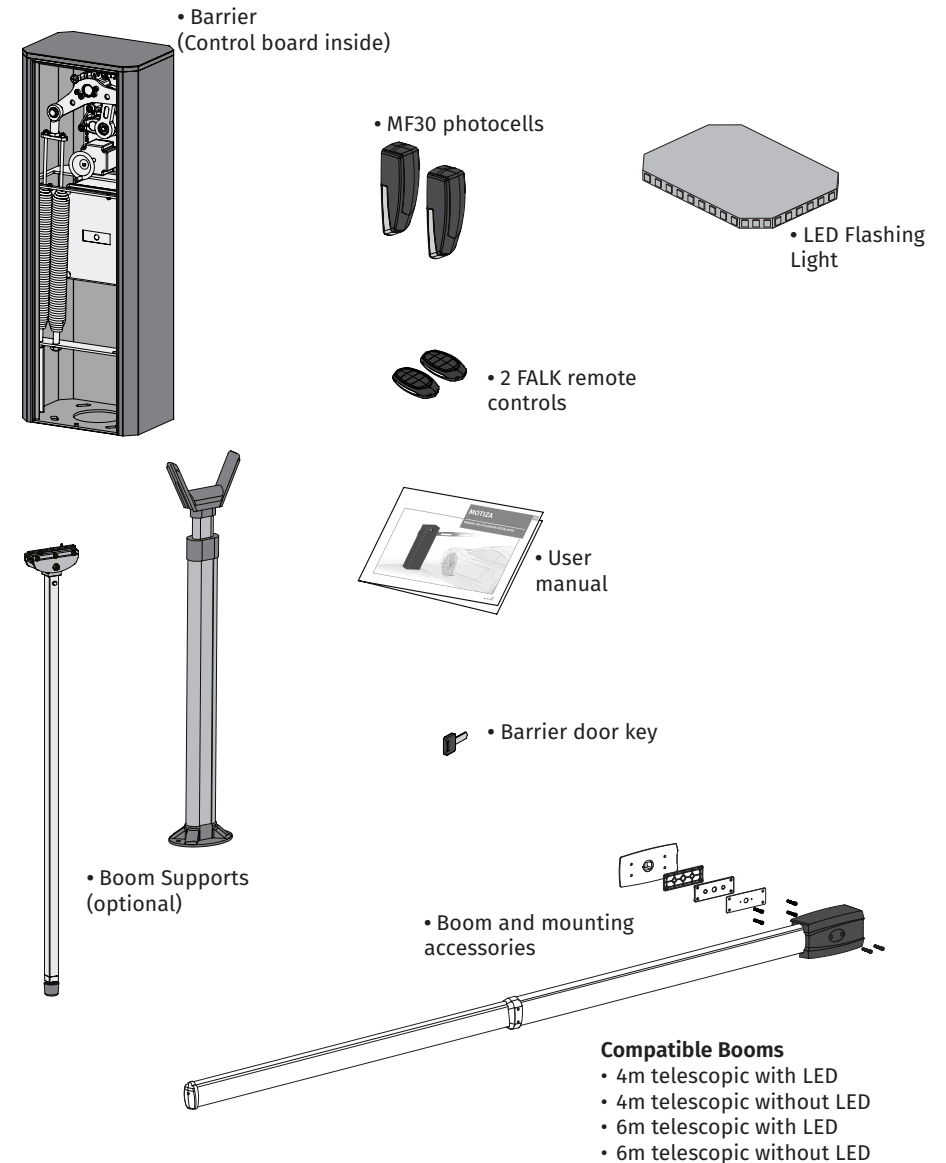
Technical specifications of the automation:

| | TURBO |
|------------------------|---------------------|
| • Power | 150W |
| • Barrier power supply | 110/230Vac~ 50/60Hz |
| • Motor voltage | 24Vdc= |
| • Noise | LpA <= 50dB (A) |
| • Working temperature | -25° C to 55° C |
| • Protection class | IP54 |
| • Working frequency | 100% |
| • Maximum boom length | 6 meters |
| • Motor type | Brushless |
| • Control board | MC90BL-BR |
| • Signaling type | RGB Led on top |
| • Mounting type | Right and Left |
| • Opening/Closing time | 1,5 to 5 seconds * |
| • Weight | 51 kg |

*Opening time varies depending on boom length

02. AUTOMATISM

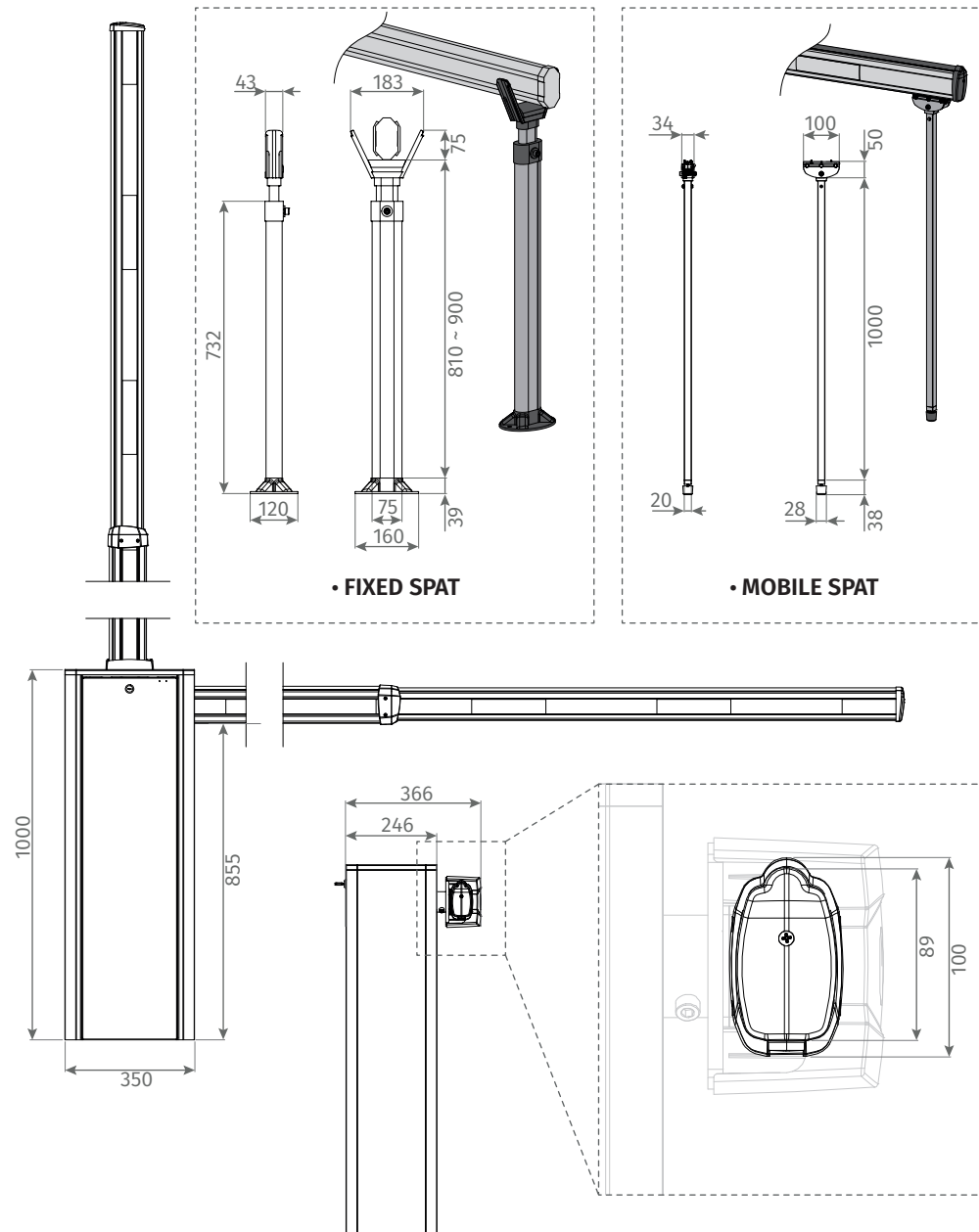
COMPATIBLE COMPONENTS



Some of these accessories may be sold separately. Consult your distributor.

02. AUTOMATISM

DIMENSIONS



5A EN

03. INSTALLATION

INSTALLATION AND ADJUSTING PROCESS



To correctly install the barrier, follow the steps below in the order in which they are found.

• INSTALLATION AND MECHANICAL ADJUSTMENT OF THE BARRIER

| DESCRIPTION | | PAGE |
|-------------|--|---------|
| 01 | Build the foundation and fix the structure. | 7B |
| 02 | Remove the protection plate 14 , by unscrewing the two screws. | 6 |
| 03 | Check that the closing movement is in the correct direction. If not, reverse the position of the boom. | 10A |
| 04 | Check the number of springs required (see table on page 12A). | 10B |
| 05 | Check the hole for fixing the springs joint bearing. You should consult the adjusting table. | 12A |
| 06 | Assemble and adjust the desired boom length. | 8B to 9 |
| 07 | Check the need for boom support. | 9 |
| 08 | Adjust the leveling of the boom when it is closed. | 8B |
| 09 | Adjust spring compensation. Consult the adjusting table (page 12A). | 11 |
| 10 | Install protection plate 14 . | 6 |

• POWER SUPPLY AND CONTROL BOARD PROGRAMMING

| DESCRIPTION | | PAGE |
|-------------|--|------------|
| 01 | Pass the boom cables and connect to the control board 21 . | 7A |
| 02 | Check the need to add optional modules or connections. | 15 to 16B* |
| 03 | Connect the power cable. | |
| 04 | Set boom length P0 → HA . | 7B* |
| 05 | Check parameter P0 → dl . | 7B* |
| 06 | Set parameter for the boom. | 7B* |
| 07 | Perform automatic programming P0 → SY . | 7B* |
| 08 | Activate the safety devices, if used, in P5 and P6 . | 9A and 9B* |
| 09 | Set the automatic closing time P4 → AF . | 8B* |
| 11 | If the opening is not smooth, adjust the parameters using the adjusting table. | 11A |
| 12 | Activate the functions relevant to your installation. | |

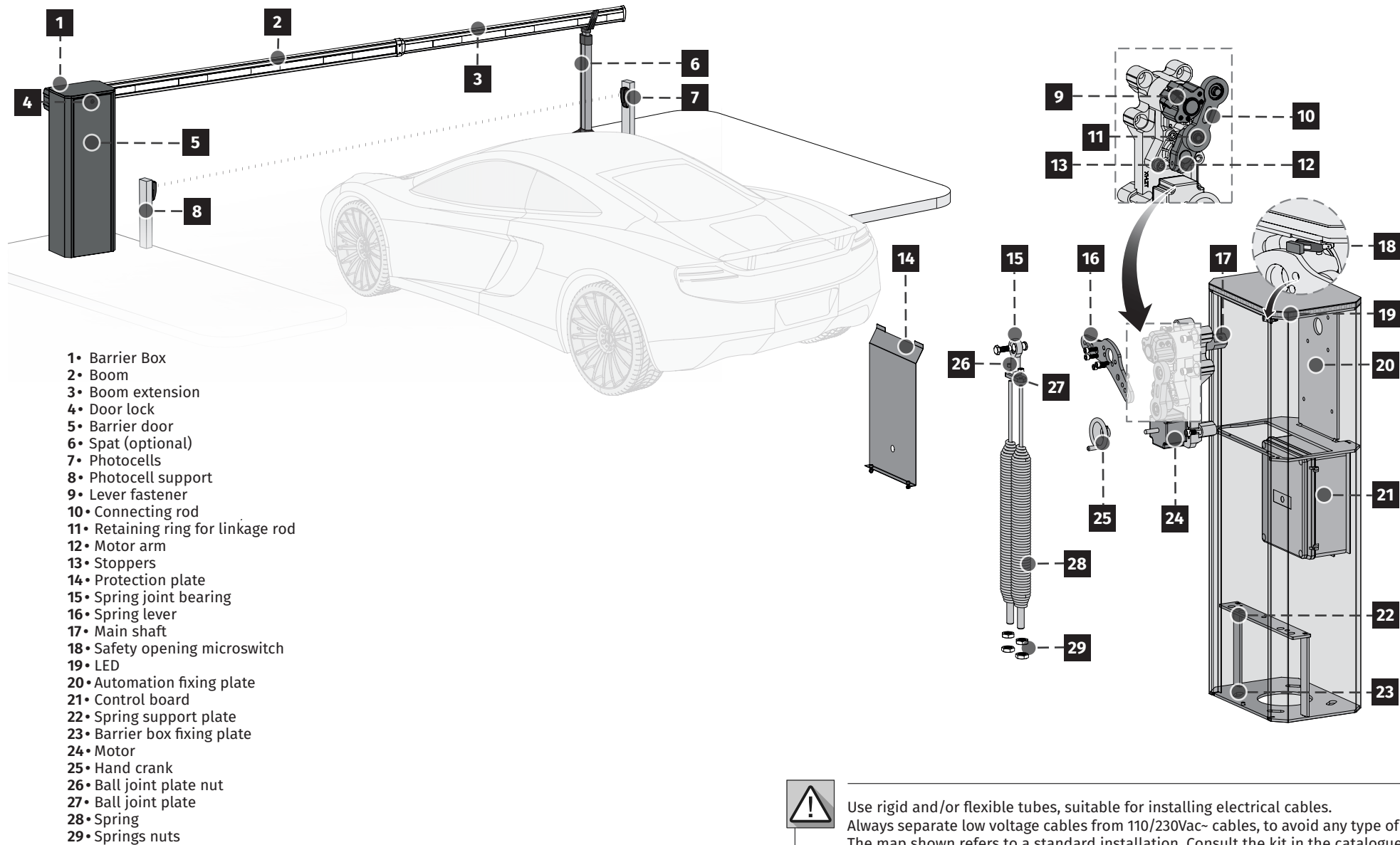


*Consult the MC90 control board manual

EN 5B

03. INSTALLATION

INSTALLATION MAP EXAMPLE

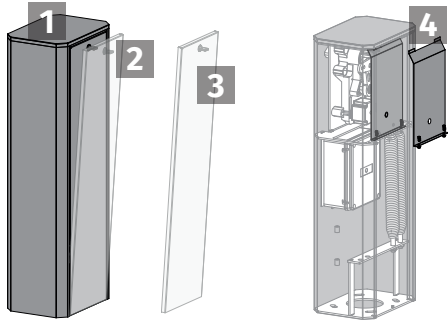


02. AUTOMATISM

DOOR OPENING



Under no circumstances should you place your hands on any component of the barrier when the automation is connected to the power supply.



Follow the following steps to access the barrier automation:

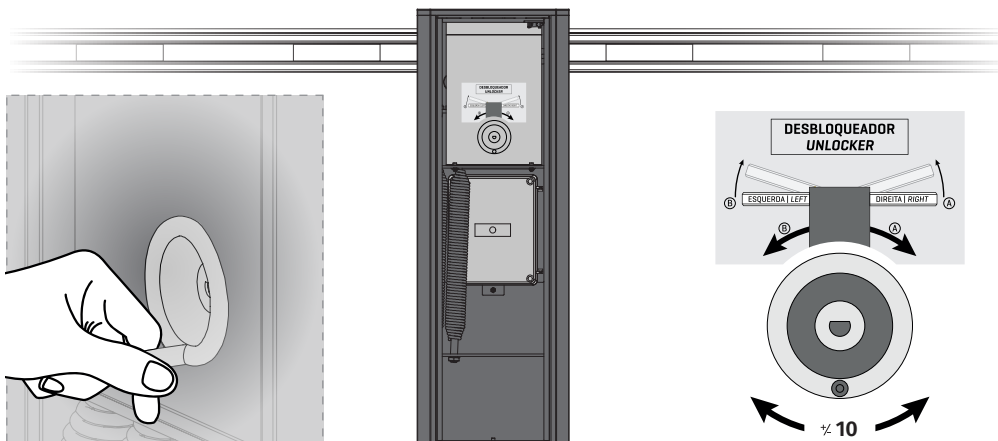
- 1 • Insert the door key
- 2 • Slightly pull the top of the door out.
- 3 • Lift the door to release it from the base of the barrier box
- 4 • Release the screws on the protection plate to access the mechanism, if necessary.

MANUALLY MOVE THE BOOM

In case of emergency or during the installation/adjustment phase of the barrier, it may be necessary to move the boom manually. To do this, you must access the interior of the automation (see "OPENING THE DOOR"), turn the handle until the boom comes out of the 90° angle (approximately 10 laps) and then you can move the boom by hand.

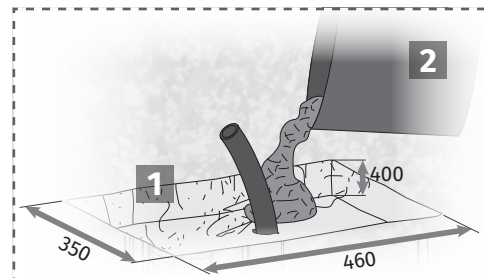


Whenever the cover is removed, the barrier will stop working due to the emergency circuit.



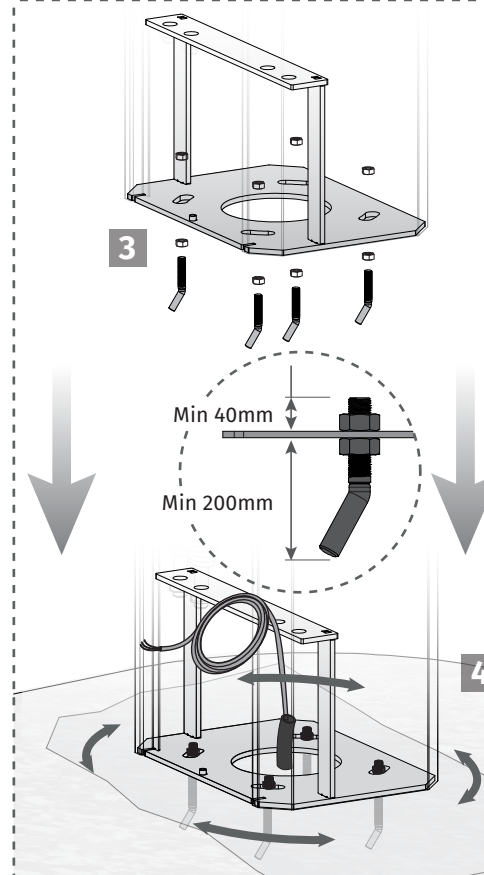
03. INSTALLATION

AUTOMATION INSTALLATION



• CREATE FOUNDATION

- 1 Make a hole measuring 350x460mm and 400mm (or greater) deep to create the fixing foundation.
- 2 Fill with concrete and smooth the top so that it is perfectly level.
- 3 While the cement is still fresh, place bolts (Minimum 200mm height) and the nuts in the center of the holes in the base of the barrier box, and then apply the barrier box making it enter 200mm (minimum) into the cement.
- 4 If you want to adjust the barrier box a little, you can slightly release the nuts to rotate it a few degrees.



• EXISTING FOUNDATION

- 1 With the barrier in place, mark the holes in the foundation. Drill the foundation at these markings and apply appropriate dowels to fix the barrier.
- 2 Position the barrier on the foundation, leaving it centered with the holes and fix it by applying the screws from the inside of the barrier.

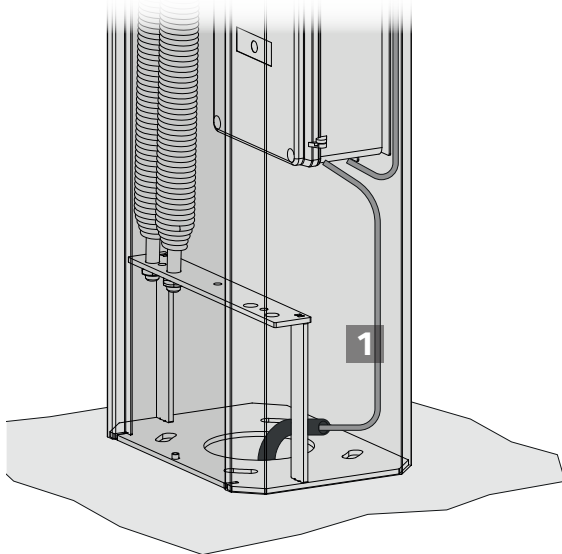


Leave cables with a length that guarantees easy connection to the control board.

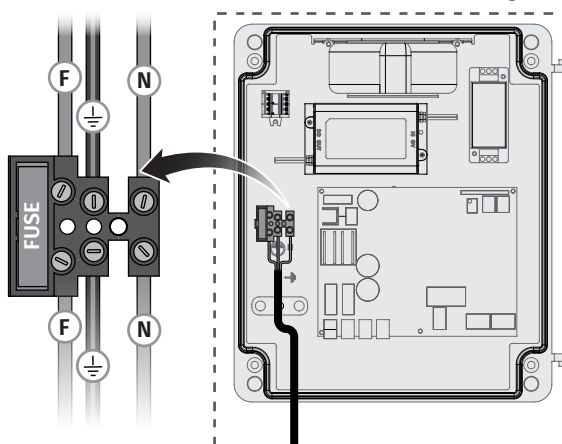
03. INSTALLATION

POWER CABLE

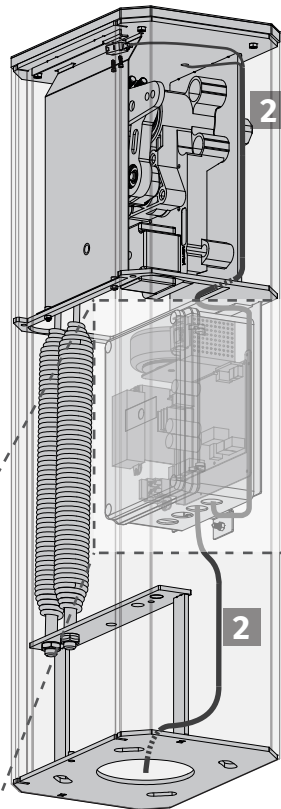
*The barrier structure has guides on the inside through which the barrier wiring must pass in an organized manner to the top of the barrier.



- 1 Guide the power cables that come from the ground through the inside of the barrier box, storing them so that they are protected.
- 2 When the power cable reaches the control board, connect the wires to the connector on the control board. **Connect the wires in the order shown in the image**



Important: Check the voltage of your transformer before connecting the power supply if it is 230Vac~ ou 110Vac~.
See page 12 for more detailed information



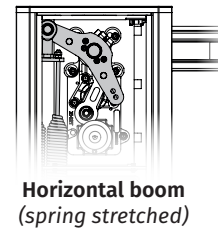
03. INSTALLATION

BOOM ASSEMBLY

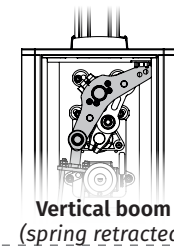


*If you order the barrier without specifying the position of the boom, it will be mounted on the right.
If the barrier is not in the desired position, follow the instructions on the next page to reverse it.

1 • RIGHT BOOM (Standard) *

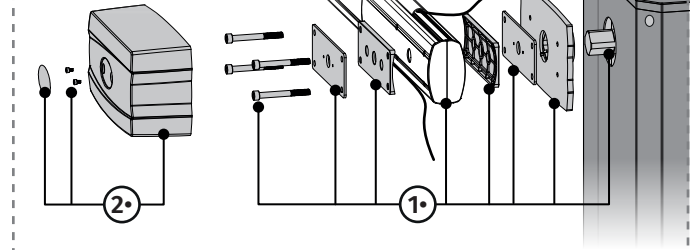


Horizontal boom (spring stretched)

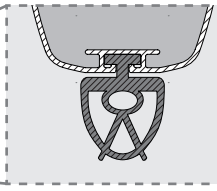
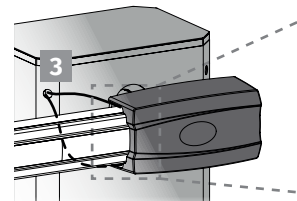


Vertical boom (spring retracted)

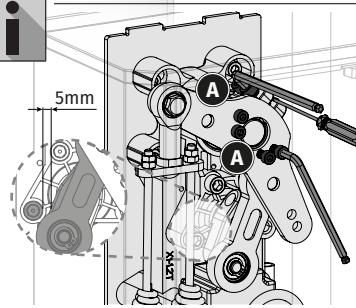
2



- 1 Check that the position of the boom is horizontal (see image 1).
- 2 Group and fit the pieces in the order indicated. Attach the parts to the boom fixing plate with screws provided in the packaging.
- 3 Pass the safety edges and boom lighting wires through the barrier box hole. Cover the hole on the opposite side of the barrier box with a hole-filler cover.



All Motorline barriers have the possibility of installing safety edges and signaling LEDs.



If the boom is not horizontal, you can adjust its leveling. To do this, place the motor arm in the closed position and move it approximately 5mm away from the stoppers. Then slightly loosen screws **A** and, using a screwdriver, slightly loosen the lever fastener and move the boom by hand until it is in the correct position. If using a Spat, after loosening the adjustment screws, place the boom against the stopper of the fixed Spat, or, the mobile Spat on the floor. In this case, the boom always remains in the same position.
Before tightening the screws, using a level, check that the boom is horizontal.

03. INSTALLATION

FIX BOOM SUPPORTS (OPTIONAL)

• SET EXTENSIBLE BOOM LENGTH

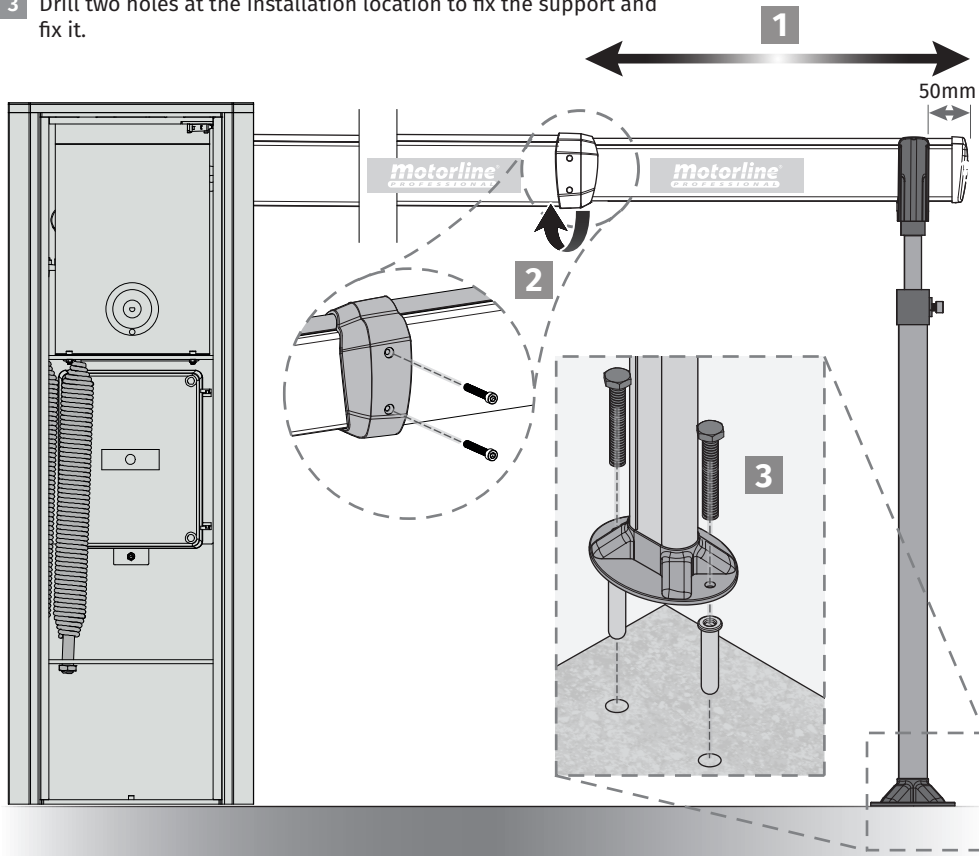
1 Start by establishing the length of the boom so you can then place the support, as seen in the image below.
The boom must exceed the position of the support arm by 50mm.

2 After placing the boom with the desired dimension, fix it with the two self-tapping screws on the fixed part of the boom.

• FIXED BOOM SUPPORT APPLICATION

Once the length of the boom is established, determine where to attach the boom support to the ground.

3 Drill two holes at the installation location to fix the support and fix it.



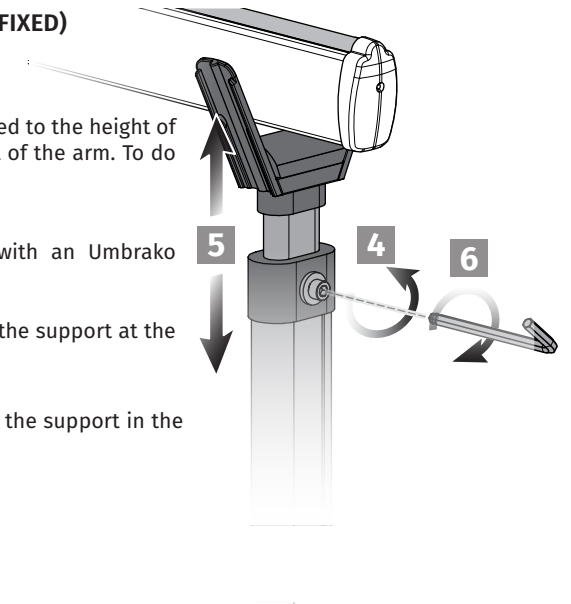
• ADJUST THE HEIGHT OF THE SUPPORT (FIXED)

If the height of the support arm is not adjusted to the height of the boom, you will need to adjust the height of the arm. To do this, follow the following steps:

4 Loosen the support arm locking pin with an Umbrako wrench.

5 Raise or lower the support arm to place the support at the height needed to support the boom.

6 Tighten the support arm lock pin to lock the support in the set position.



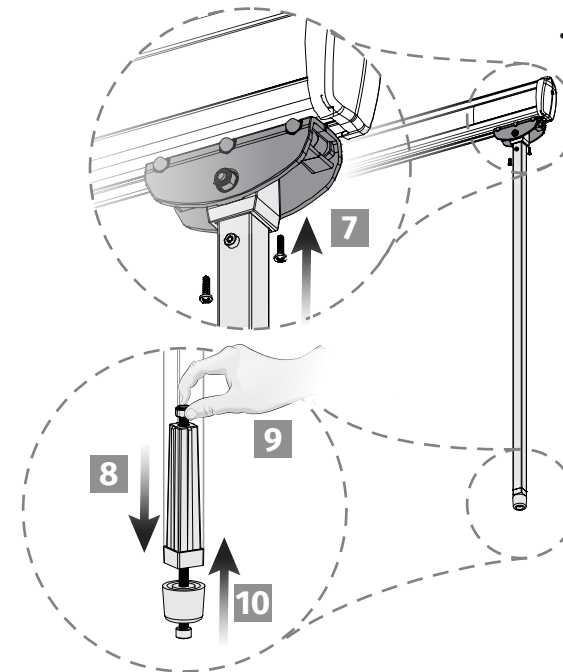
• MOBILE BOOM SUPPORT APPLICATION

7 Fix the mobile support to the boom by tightening the two screws at the top of the support

8 Detach the base from the mobile support. It may be necessary to remove side screws.

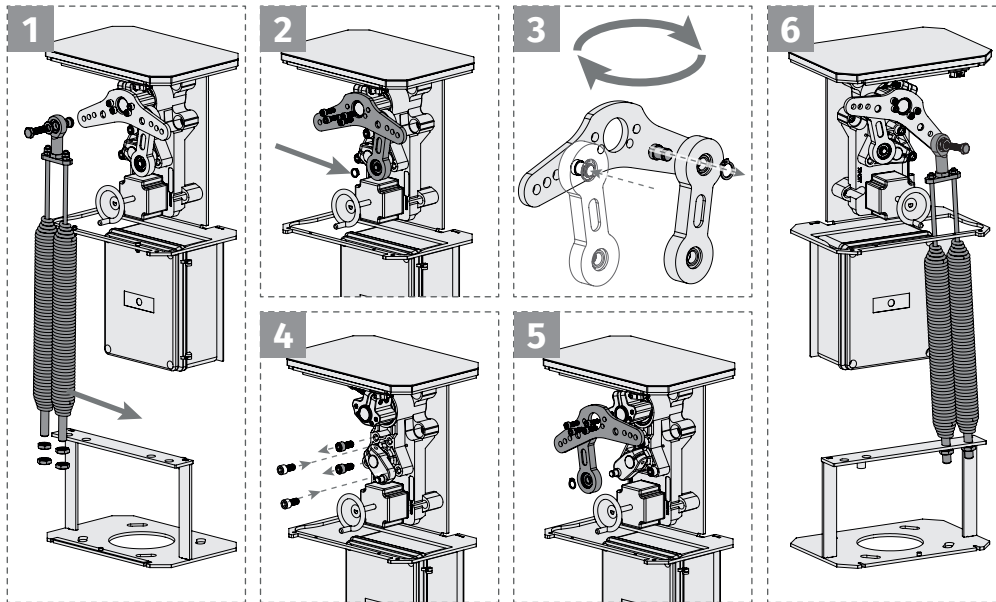
9 Tighten or loosen the adjustment screw located at the top of the floor stopper.

10 Put everything back together and test if it is as expected. Repeat if necessary.



03. INSTALLATION

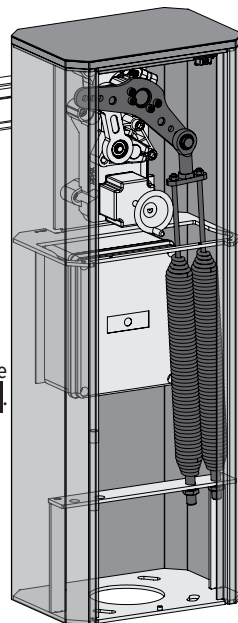
REVERSE BOOM POSITION



- 1 Unscrew the spring joint bearing **15** and the spring nuts **29** (next to the spring support plate)
- 2 Release the retaining ring for linkage rod **11** and spring lever **16**.
- 3 On the loose part, release the retaining ring for linkage rod **11** at the back, remove the connecting rod **10** and secure it on the other side with the same brake.
- 4 Unscrew the stoppers **13** and screw them to the opposite side.
- 5 Replace the spring lever **16** together with the connecting rod **10** on the opposite side, securing with the screws and retaining ring for linkage rod **11**.
- 6 Place and tighten the spring joint bearing **15** and the spring nuts **29** on the opposite side.



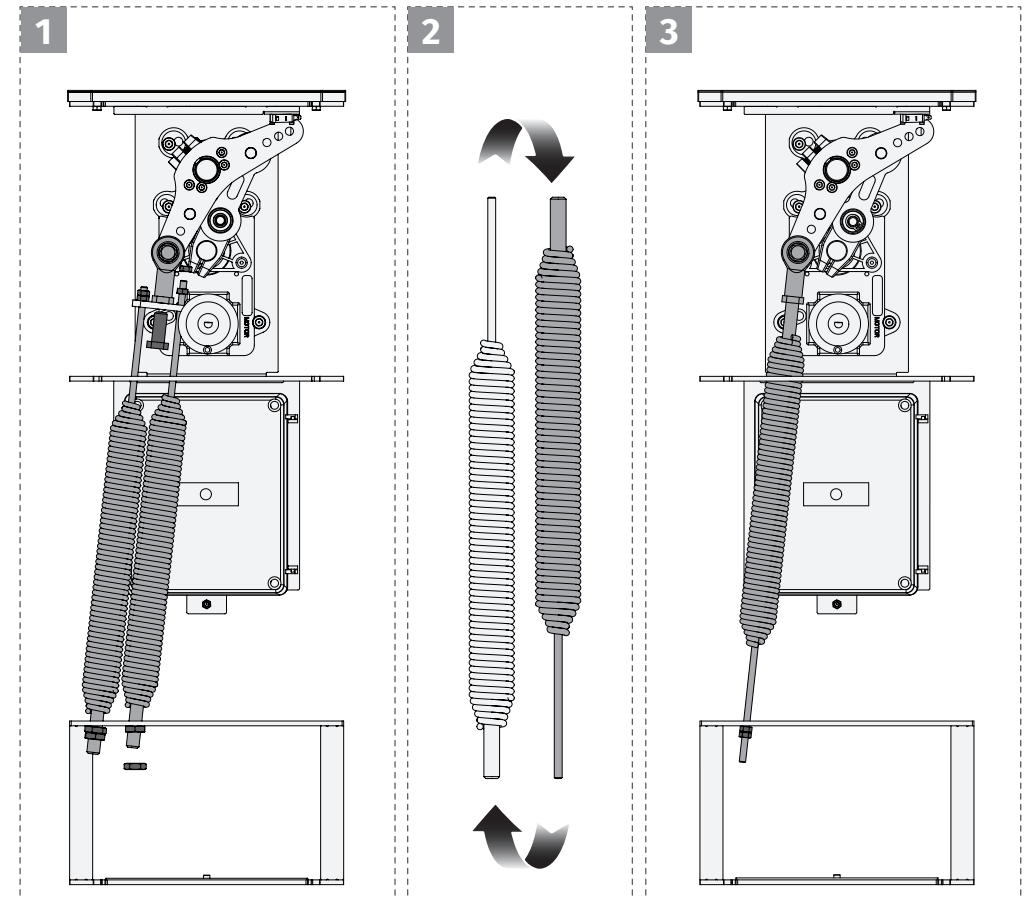
You must check numbering on page 6.



03. INSTALLATION

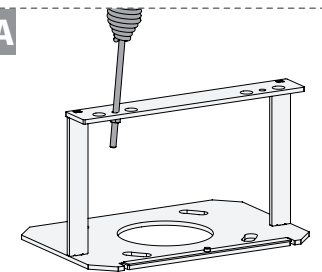
CHANGE FROM 2 SPRINGS TO 1

If, due to the size of your boom, there is a need to remove a spring, proceed as follows:



- 1 Remove the nuts **26** next to the ball joint plate **27** and the nuts **29** next to the spring support plate **22**.
- 2 Choose just one spring **28** and invert its position: Shaft M16 up and Shaft M8 down.
- 3 Screw the M16 shaft of spring **28** directly onto the spring joint bearing **15** and fix the M8 shaft on the springs support plate **22** in the intermediate hole as shown in image 3A.

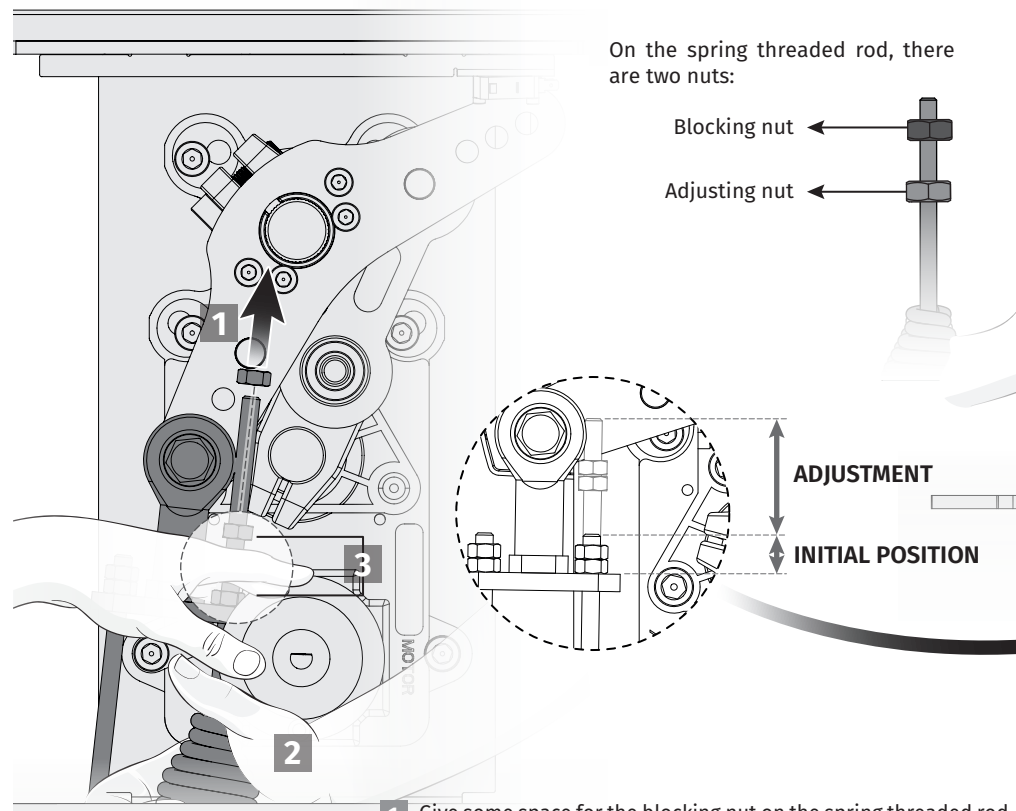
3A



03. INSTALLATION

ADJUST THE SPRING

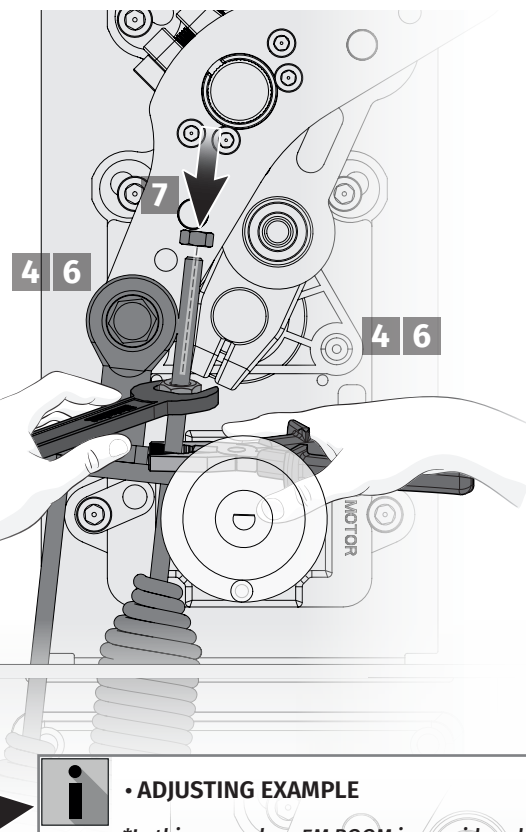
Before adjusting the spring, manually place the boom in a vertical position so that the springs are in the position of least tension, and move the connecting rod **10** approximately **5mm** away from the stopper.



1 Give some space for the blocking nut on the spring threaded rod.

2 Using your hand, pull the threaded rod downwards to keep the spring stretched, but without tension.

3 Keeping the spring in this stretched position, tighten the adjusting nut until it touches the plate.
This is the initial position to perform spring adjustment.



4 Hold the threaded rod with pliers to prevent it from rotating, and tighten the adjusting nut until the spring is stretched to the distance mentioned in the table on page 12A.

5 After stretching the spring, place the boom in the 45° position with the help of the crank, move the boom manually and check the balance by doing the test on page 12B.

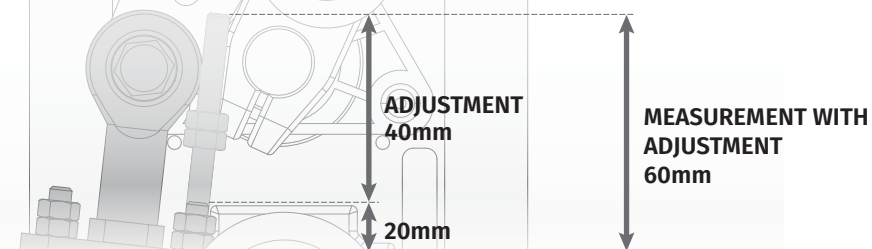
! **Attention:** This operation must be carried out with the control board disconnected from the power supply as it causes additional friction to the movement of the motor.

6 If the boom does not remain balanced, tighten or loosen the adjusting nut to achieve the best possible balance.

7 After adjusting the spring, tighten the blocking nut until it touches the adjusting nut. This way, you will lock the adjusting position, to ensure that the spring does not become out of adjustment.

i • ADJUSTING EXAMPLE

*In this example, a 5M BOOM is considered, which requires a 40mm (see tables on page 12A), where the M8 rod starts 20mm below the support plate (INITIAL POSITION).



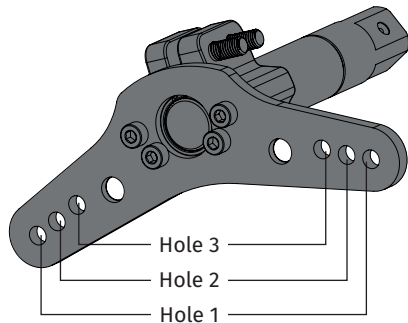
03. INSTALLATION

TUNING TABLE

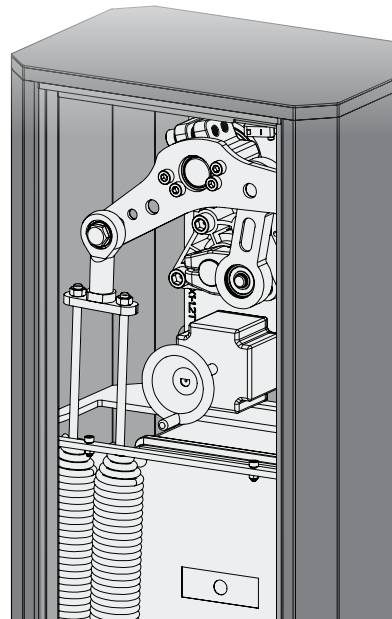
| Boom Length | 2500 | 3000 | 3500 | 4000 | 4500 | 5000 | 5500 | 6000 |
|------------------------|------|------|------|------|------|------|------|------|
| Opening time (seconds) | 1,5 | 2,5 | 3 | 3 | 3,5 | 4 | 4,5 | 5 |
| Parameter P2-SO | 9 | 8 | 6 | 6 | 5 | 4 | 3 | 2 |
| Parameter P2-SC | 2 | 2 | 1 | 1 | 1 | 1 | 1 | 1 |
| Quantity of springs | 1 | 1 | 1 | 2 | 2 | 2 | 2 | 2 |
| Hole position | 3 | 2 | 2 | 2 | 2 | 1 | 1 | 1 |
| Spring adjustment (mm) | 0 | 0 | 50 | 30 | 45 | 40 | 45 | 60 |



The values mentioned in the table above must be used for the speed parameter P2-SO and P2-SC. If the values are not applied, you may lose the warranty.



- Depending on the condition of the spring, there may be a tolerance of 5mm in relation to the values indicated in the table.
- You should test the minimum adjustment necessary to compensate the weight of the boom.



12A

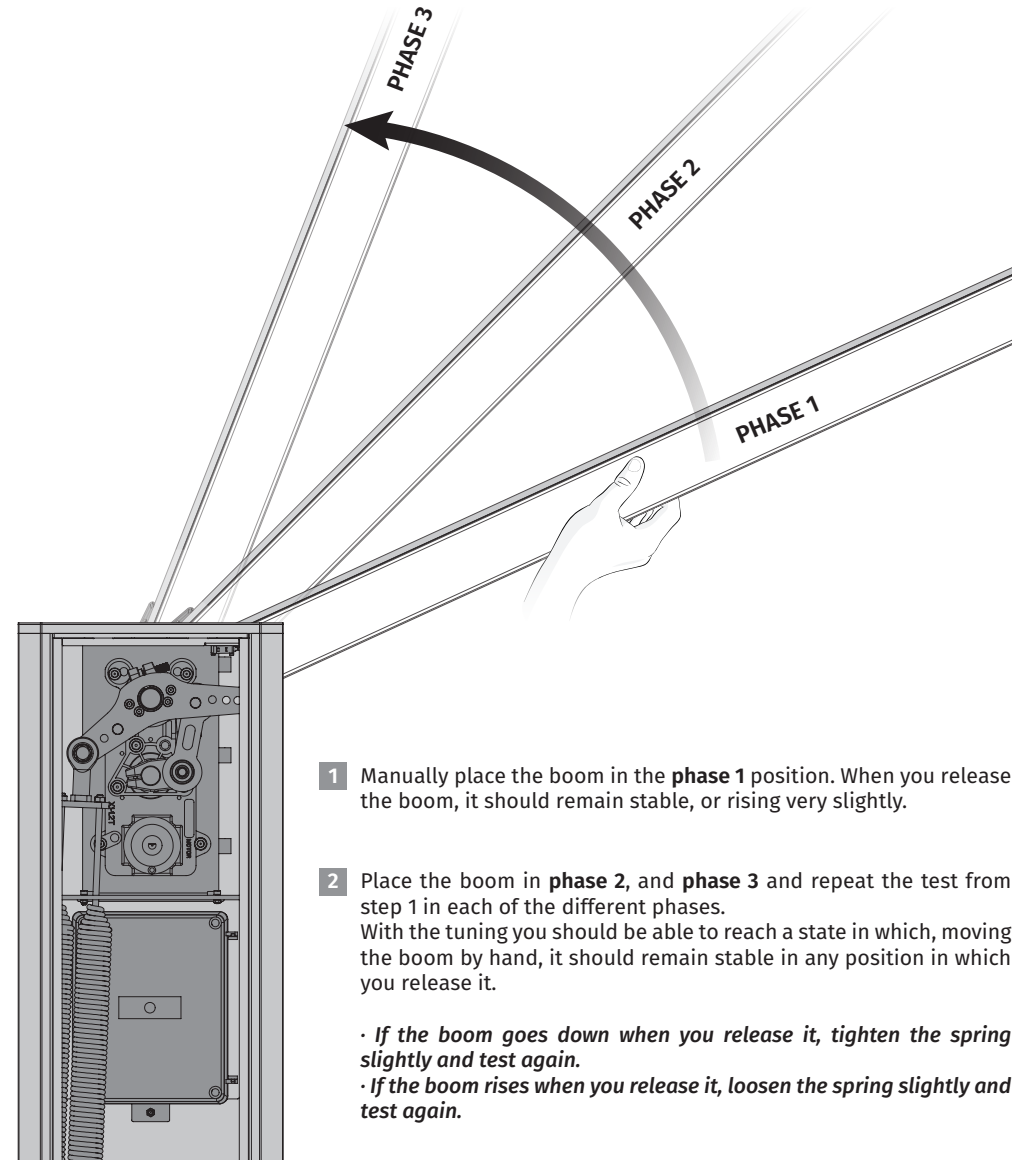
EN

03. INSTALLATION

TEST SPRING ADJUSTMENT



You must turn the motor crank until it stops the counter-cycle and you can move the boom by hand.



- 1 Manually place the boom in the **phase 1** position. When you release the boom, it should remain stable, or rising very slightly.
- 2 Place the boom in **phase 2**, and **phase 3** and repeat the test from step 1 in each of the different phases. With the tuning you should be able to reach a state in which, moving the boom by hand, it should remain stable in any position in which you release it.

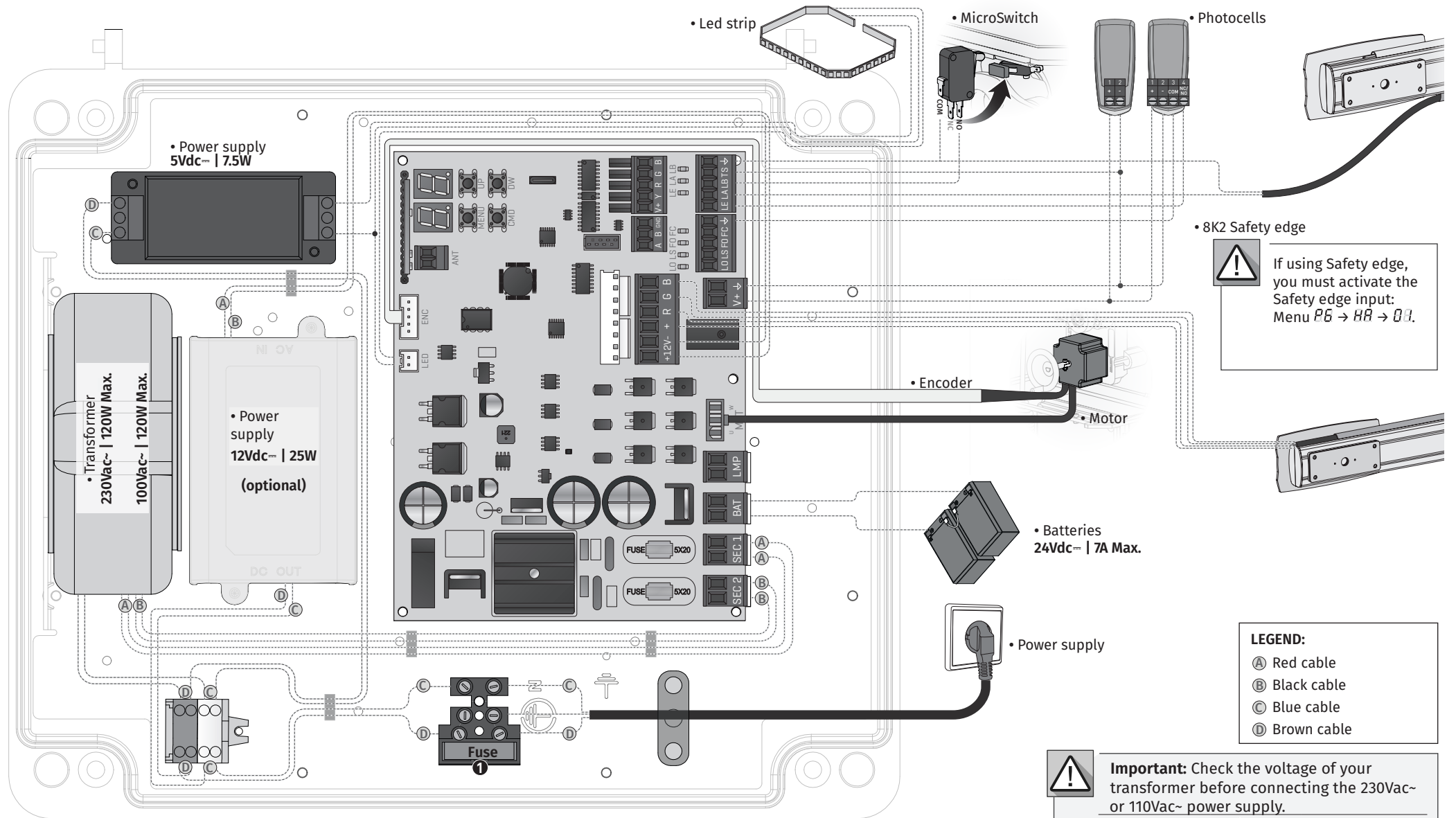
- If the boom goes down when you release it, tighten the spring slightly and test again.
- If the boom rises when you release it, loosen the spring slightly and test again.

12B

EN

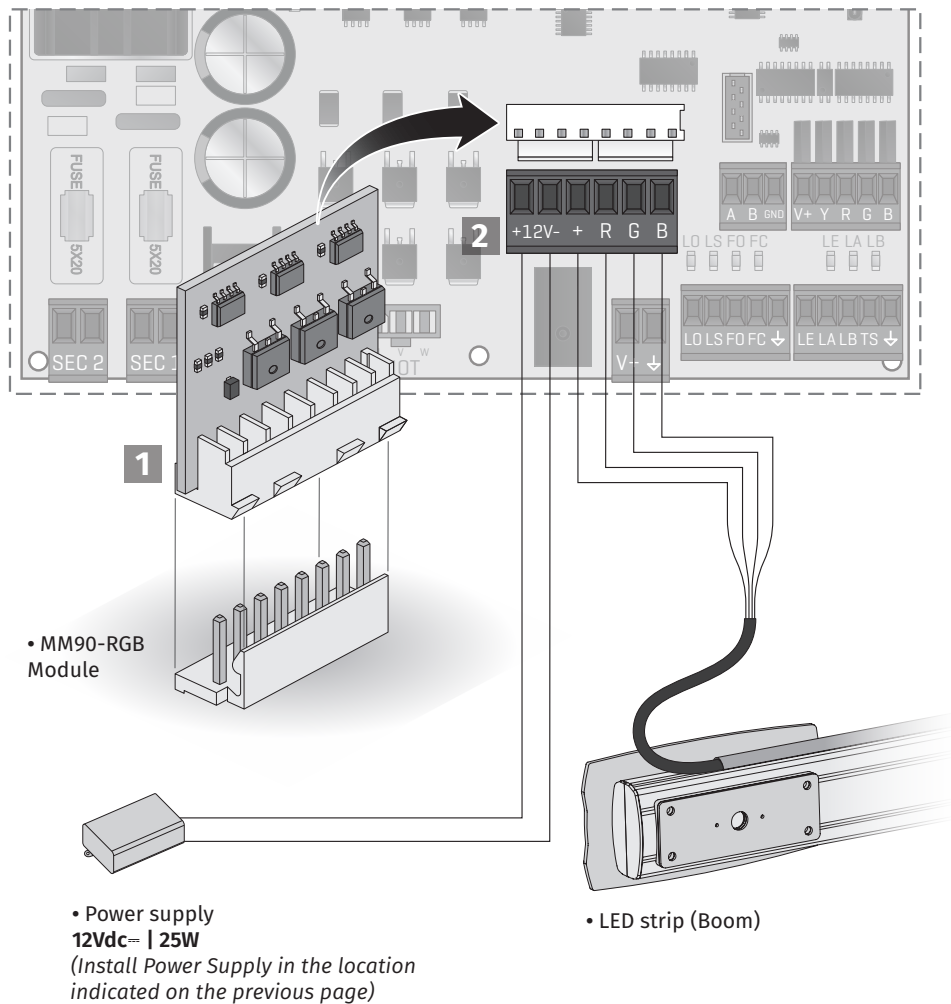
04. CONNECTIONS

CONNECTION DIAGRAM



04. CONNECTIONS

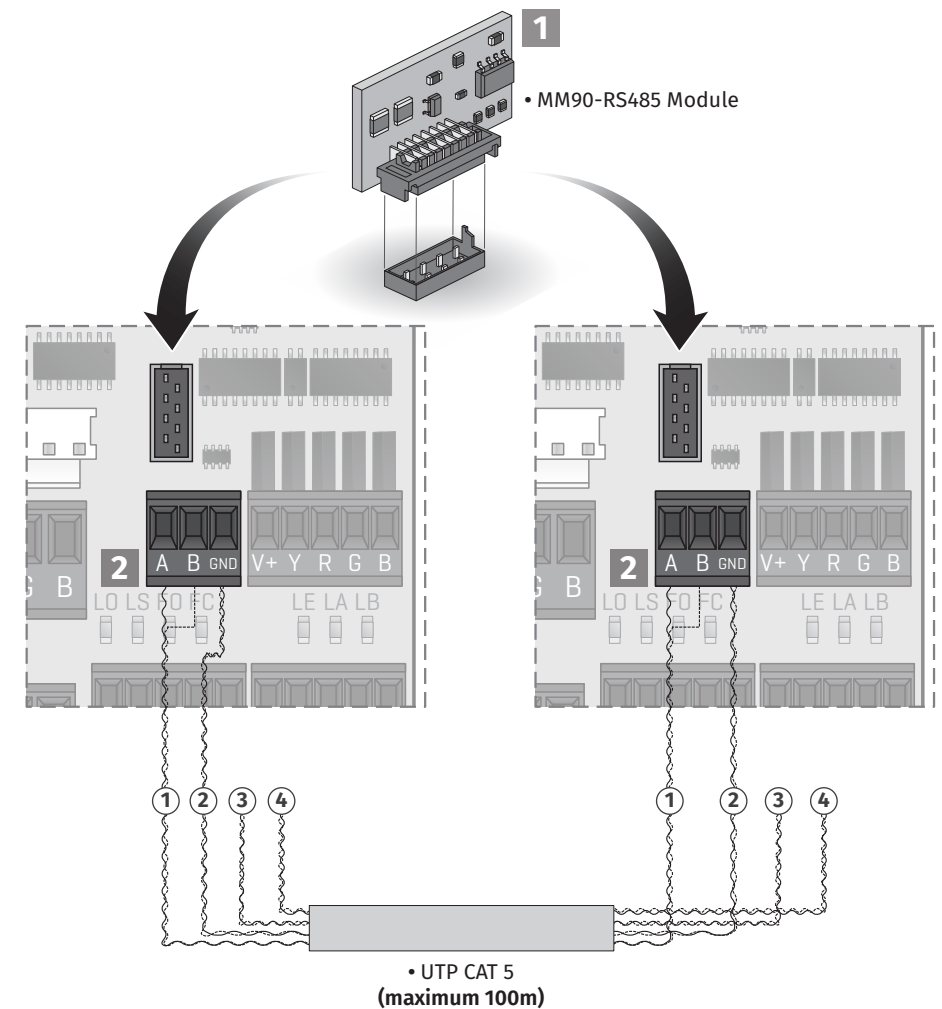
CONNECTION DIAGRAM - MM90-RGB MODULE (OPTIONAL)



- 1 Fit the MM90-RGB module onto the control board;
- 2 Connect the LED Strip cables according to the diagram;
- 3 To configure the RGB module operating mode, see parameter $E9 \rightarrow HR$.

04. CONNECTIONS

CONNECTION DIAGRAM - MASTER / SLAVE (OPTIONAL)



- 1 Fit the MM90-RS485 module onto the MASTER board and the SLAVE board;
- 2 Connect the two boards with a UTP CAT 5 cable;;
- 3 Sets the $P0 \rightarrow n5$ parameter to 00 on the MASTER board, and 01 on the SLAVE board.

05. TROUBLESHOOTING

INSTRUCTIONS FOR END CONSUMERS / SPECIALIZED TECHNICIANS

| Anomaly | Procedure | Behavior | Procedure II | Discovering the origin of the problem |
|--|--|---|--|---|
| • Barrier does not work | • Check that the 230Vac~ power supply is connected to the automation and that the fuse is working correctly. | • Still not working | • Consult a specialized technician. | <p>1 • Open the barrier door; 2 • Measure the 24Vdc= output of the transformer to detect the location of the fault;</p> <p>A) It has 24Vdc=: 1 • Check whether the control board is supplying power to the barrier to detect whether the fault is in the motor or the control board. Replace the damaged component or send it to service for diagnosis and repair.</p> <p>B) It does not have 24Vdc=: 1 • Check the 230Vac~ input of the transformer. If it has 230Vac~ the problem is with the transformer. If not, the problem will be with the fuse, electrical cables or the electric current itself. Check all systems.</p> |
| | • Check STOP. | • Still not working | • Consult a barrier technician. | <p>1 • Check that the barrier door limit switch is activated when it is closed; 2 • Check that the LB input LED turns on when the limit switch is pressed; 3 • Check the entire photocell connection circuit to the control board.</p> |
| • Barrier does not move but makes noise | • Unlock the barrier and move manually to check for mechanical problems. | • Is the barrier stuck? | • Consult a barrier technician. | 1 • Check all axes and movement systems associated with the barrier to find out what the problem is. Also check that the spring is in good condition and can support the boom. |
| | | • Does the boom move easily? | • Consult a specialized technician. | <p>1 • If the motor works, the problem is with the control board. Remove it and send it to technical services for diagnosis; 2 • If the motor does not work, remove the motor and send it to technical services for diagnosis.</p> |
| • Barrier opens but does not close | <p>1 • Check if there is any obstacle in front of the photocells; 2 • Check that the photocells are working. Pass your hand over the front and check if the relay makes any noise. 3 • Check whether any of the barrier control devices are stuck and sending a permanent signal; 4 • Check the Safety edge connections.</p> | • The barrier opened but did not close. | • Consult a specialized technician. | <p>1 • Check that the display is ON to confirm the existence of power; 2 • Check that the photocells are powered at the control board output; 3 • Access the menu on the display and deactivate the photocells and STOP; 4 • Try to close;</p> <p>A) Closed: 1 • The problem is in one of these two systems. Activate the photocells and check that the barrier closes. If it closes, the problem will be the STOP. Activate it in the menu and try closing the barrier to be sure.</p> <p>B) Did not close: 1 • The problem is with the motor or control board. 2 • If there is no power, the problem is with the control board.</p> |
| • Barrier does not make a complete route | • Unlock the barrier and move manually to check for mechanical problems. | • Found problems? | • Consult a barrier technician. | 1 • Check all axes and motion systems associated with the barrier to find out what the problem is. Also check that the spring is in good condition and can support the boom. |
| | | • Does the barrier move easily? | <p>1 • Reprogram the barrier course; 2 • Consult a specialized technician.</p> | <p>1 • Check that the compensations of the barrier springs are well made; 2 • Change the sensitivity in menu P2 until the barrier moves without reversing direction; 3 • This adjustment must be made so that the barrier reverses when it encounters an obstacle; 4 • Change the force in menu P2 until the barrier moves without reversing direction;</p> |

06. MAINTENANCE

MAINTENANCE TASKS AND FREQUENCY

During maintenance/revision check the parameters mentioned below.
 On the date you carry out the maintenance, mark with an "X" the tasks performed.
Maintenance must be carried out by a specialized technician as regularly as indicated.

| | Frequency (months) | | | | Date | Date | Date | Date | Date | Date | Date |
|---|--------------------|----|----|----|------|------|------|------|------|------|------|
| | 6 | 12 | 24 | 36 | | | | | | | |
| 1. OPERATION | | | | | | | | | | | |
| Tightening the support to the ground | | X | | | | | | | | | |
| Spring calibration (manual test) | | X | | | | | | | | | |
| Adjusting the spring tension so that when it is closed/open and in the middle, it remains in that position without changing | | X | | | | | | | | | |
| All axes of movement | | X | | | | | | | | | |
| Motor noise | | X | | | | | | | | | |
| Manual unlocking system | | X | | | | | | | | | |
| General adjustments (electrical and control board force) | | X | | | | | | | | | |
| Checking the packaging of all cables inside the barrier | | X | | | | | | | | | |
| Ground wire power protection | | X | | | | | | | | | |
| Advertising | | X | | | | | | | | | |
| Label for recording the intervention | | X | | | | | | | | | |
| CE marking label | | X | | | | | | | | | |
| Company / Technician: | | | | | | | | | | | |



Since maintenance standards vary depending on the legislation in force in the country where the barrier is being installed, the installer must verify that the recommended maintenance frequency is correct.