



DC500 Technical Datasheet

Door closer with Cam-Motion® technology
for comfortable opening of high traffic doors

ASSA ABLOY
Opening Solutions

Experience a safer
and more open world

DC500

Door closer with Cam-Motion® technology and guide rail – for single leaf doors, size 1-4



DC500 with guide rail G195, silver, EV1

Cam-Motion® technology creates rapidly decreasing opening force without losing fire or smoke protection compliance

The DC500 series brings precise control for doors which must balance access and protection, contained within a stylish exterior to meet the demands of discerning environments. The rapidly decreasing opening force of Cam-Motion technology ensures doors open with less effort.

- Certified in compliance with EN 1154, size 1-4
- Suitable for fire and smoke protection doors
- For single leaf doors up to 1100 mm width
- Barrier-free according to DIN 18040 and CEN/TR 15894

Colours

- Silver, EV1
- White, similar to RAL 9016
- Brown, similar to RAL 8014
- Black, similar to RAL 9005
- Stainless steel, design & full cover
- Customized colours on request

Features

- Symmetric cam design allows 4 mounting options
- Height-adjustable, grooved spindle (14 mm) compensates installation mistakes
- Closing and latch speeds can be raised and lowered independently
- Durable, front-facing metal valves make adjustments easy and reliable
- Consistent performance in a wide range of temperatures
- Backcheck functionality as standard protects frame and surrounding areas (not for DC500Basic)
- Simplified stock management with universal parts and adaptable solutions

Guide rails and accessories

- **G195** height-adjustable guide rail (2 mm) with concealed fastening screws
- **G193** standard guide rail with visible fastening screws
- **A152** mechanical hold-open device with adjustable hold-open force, keeps doors open at an angle between 80° and 130° (not approved for use on fire and smoke protection doors)
- **A153** mechanical opening damper, continuously adjustable up to an opening angle of max. 130° (does not replace door stop)
- **A120** mounting plate for door closer
- **A124** replacement plate for renovation applications
- **A130** mounting plate for guide rail
- **A136** mounting plate for guide rail, non-hinge side
- **A104** angle bracket for guide rail
- **A166** glass door shoe for mounting the door closer on a solid glass door
- **A190** screening plate for doors with narrow profiles and glass filling as cover of the back of the door
- **A176** universal drilling gauge



DC500Basic

Product variants

- **DC500Basic** without backcheck functionality, with plastic cover

Four mounting options with one product



Leaf mounting on hinge side



Frame mounting on hinge side



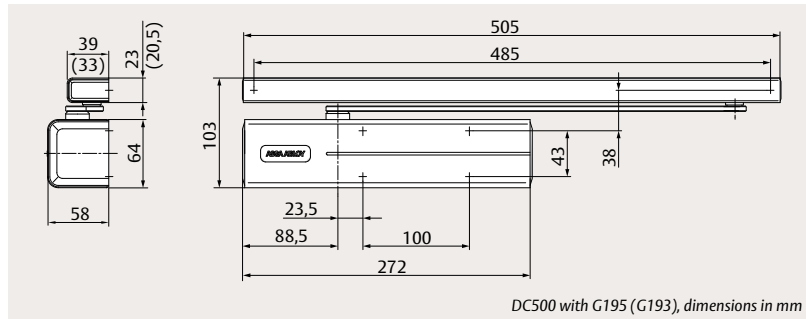
Leaf mounting on non-hinge side



Frame mounting on non-hinge side

DC500

Technical attributes and certification



Technical attributes

Closing force	EN size 1-4
Maximum leaf width	1100 mm
Closing speed (C)	Variable between 170° and 10°
Latch speed (L)	Variable between 10° and 0°
Backcheck (B)	Variable above 75° (not for DC500Basic)
Maximum opening angle	~170°/125° (hinge side / non-hinge side)
Door system	Single leaf
Handing	Left- / right-handed
Mounting options	Leaf or frame mounting Hinge or non-hinge side
Force adjustment	Yes
Height adjustment	Yes
Corrosion resistance	Grade 4 (240 hours)
Dimensions (H x D x L)	64 x 58 x 272 mm



Visit assaabloy.com to download all relevant product literature

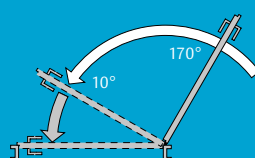


Certification and testing

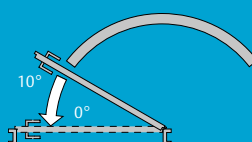
Certified in compliance with	EN 1154
CE classification	3 8 1-4 1 1 4
CE / UKCA mark	Yes
Suitable for fire and smoke protection doors	Yes
Barrier-free according to	CEN/TR 15894 DIN 18040
Third-party verified EPD	ISO 14025, EN 15804



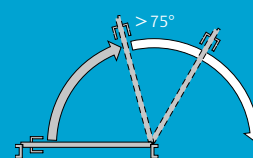
Independent adjustment via front-facing valves



Closing speed (C)



Latch speed (L)

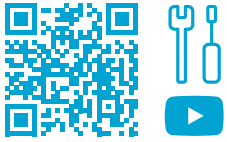


Backcheck (B)*

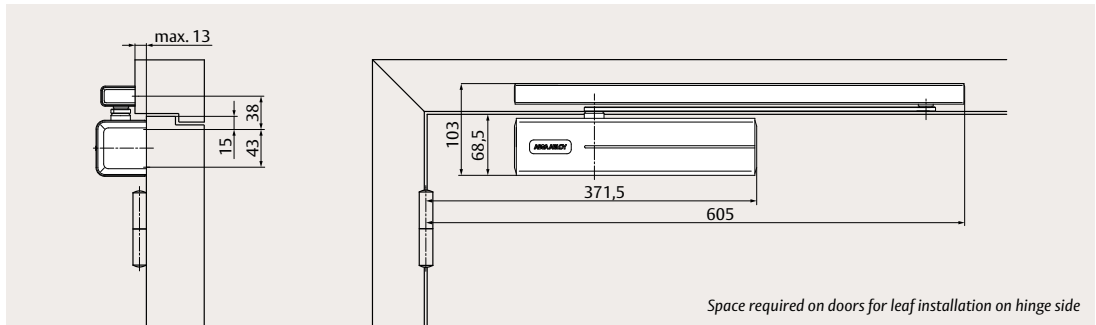
*not for DC500Basic

DC500

Space requirement and mounting dimensions

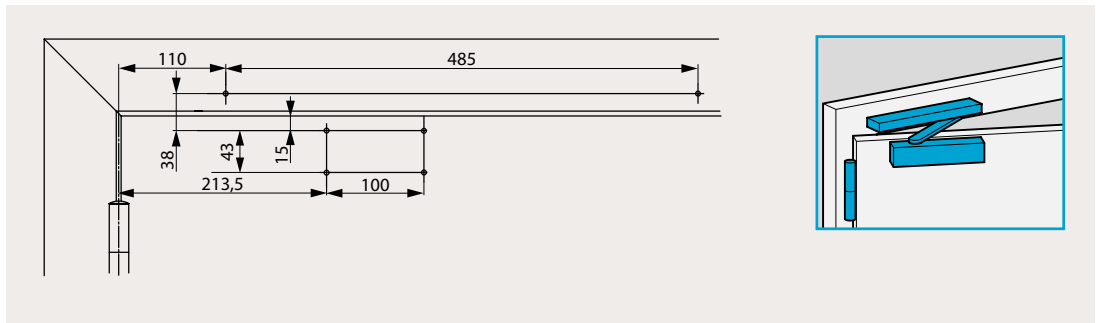


Scan the QR code to watch the installation video



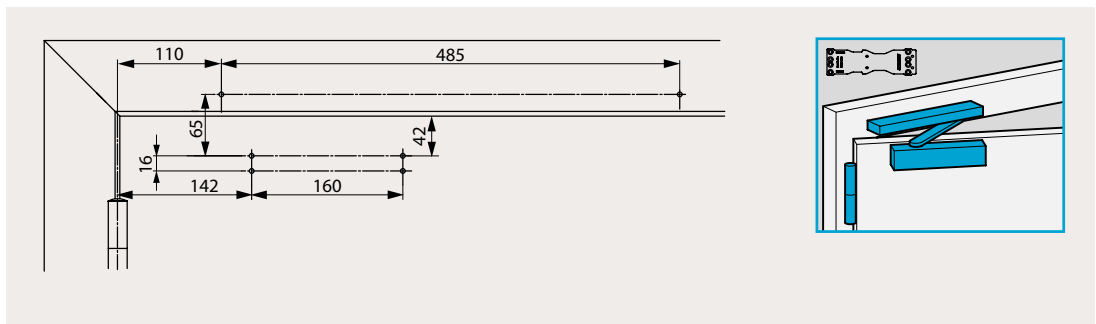
Direct leaf mounting on hinge side

The drawing illustrates installation on left-handed doors. For right-handed doors, it is the reverse.



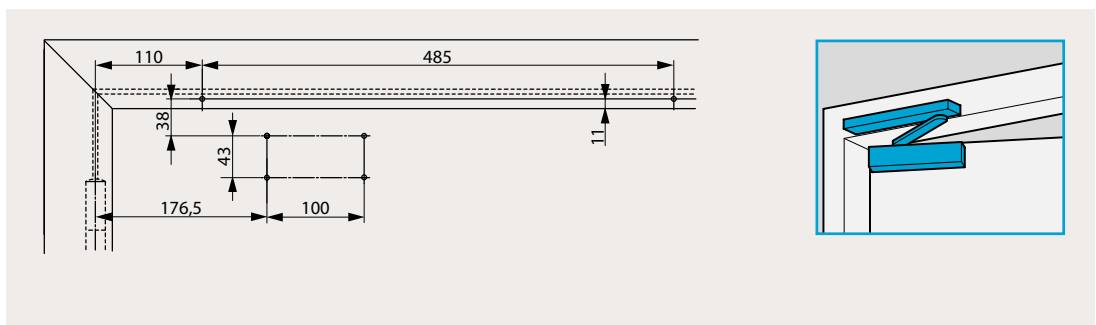
Mounting plate leaf mounting on hinge side; in compliance with DIN EN 1154, supplement 1

The drawing illustrates installation on left-handed doors. For right-handed doors, it is the reverse.



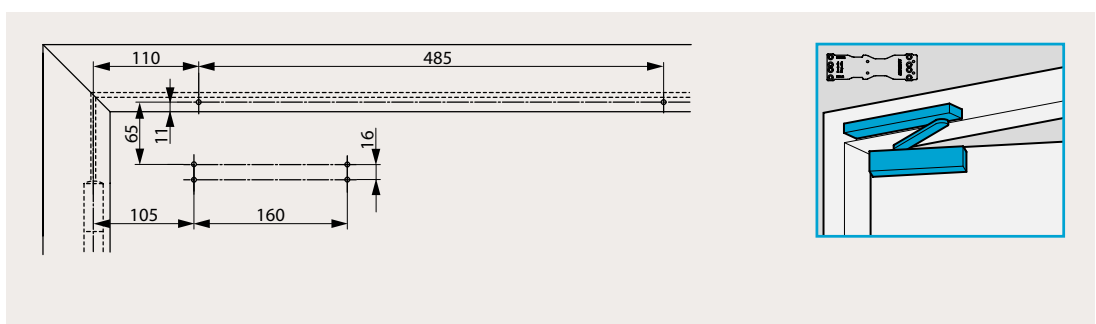
Direct leaf mounting on non-hinge side

The drawing illustrates installation on right-handed doors. For left-handed doors, it is the reverse.



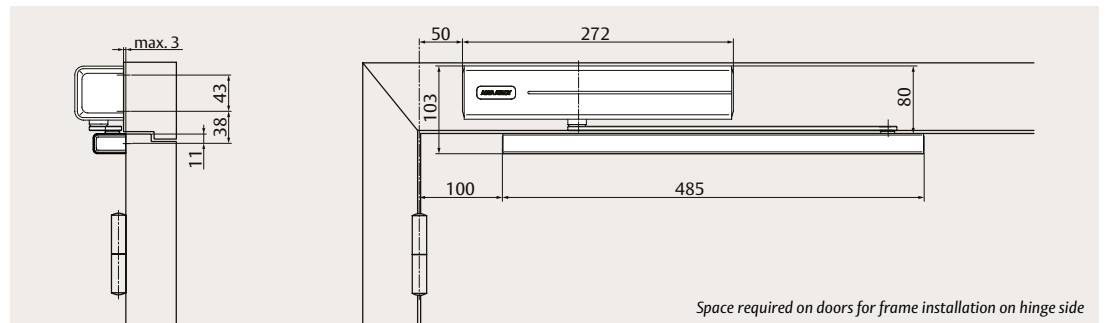
Mounting plate leaf mounting on non-hinge side

The drawing illustrates installation on right-handed doors. For left-handed doors, it is the reverse.



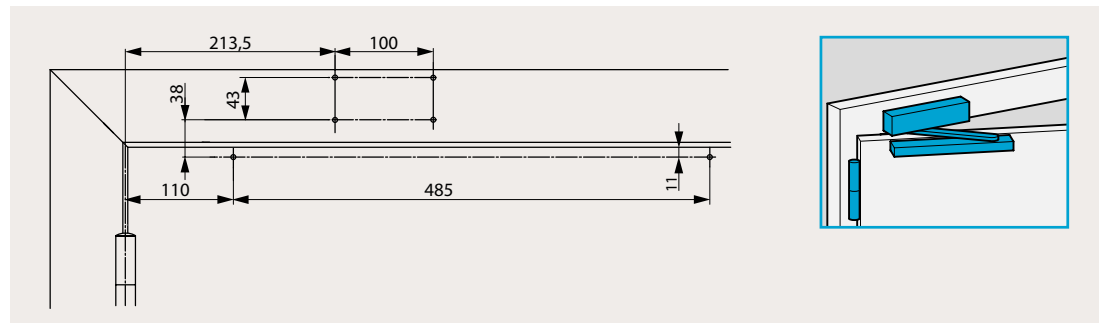
DC500

Space requirement and mounting dimensions



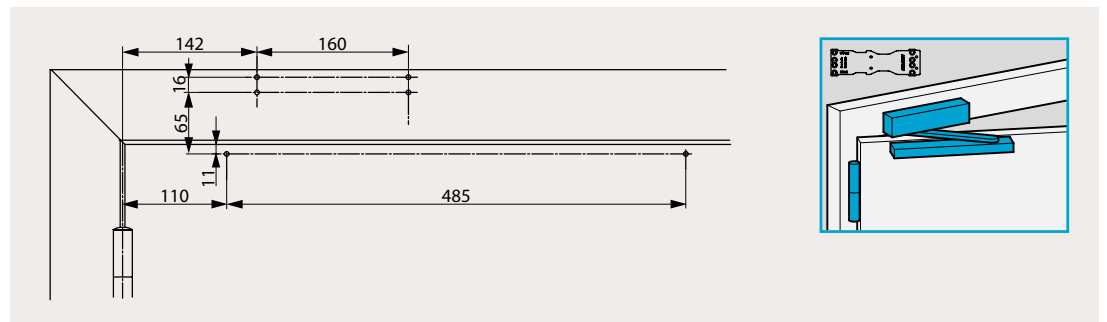
Direct frame mounting on hinge side

The drawing illustrates installation on left-handed doors. For right-handed doors, it is the reverse.



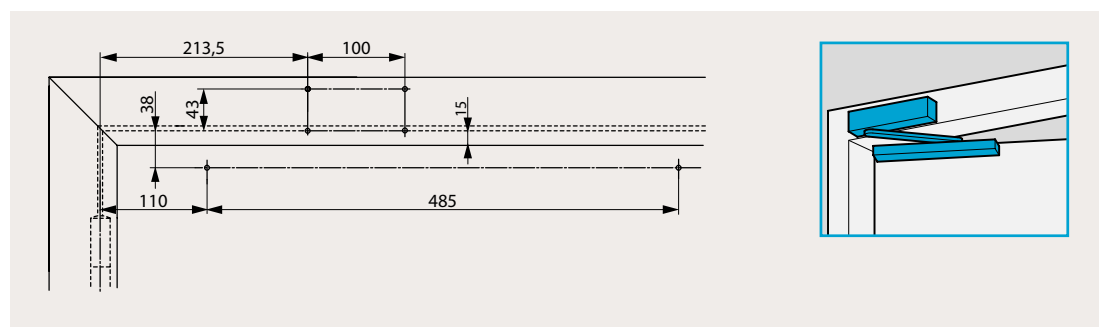
Mounting plate frame mounting on hinge side

The drawing illustrates installation on left-handed doors. For right-handed doors, it is the reverse.



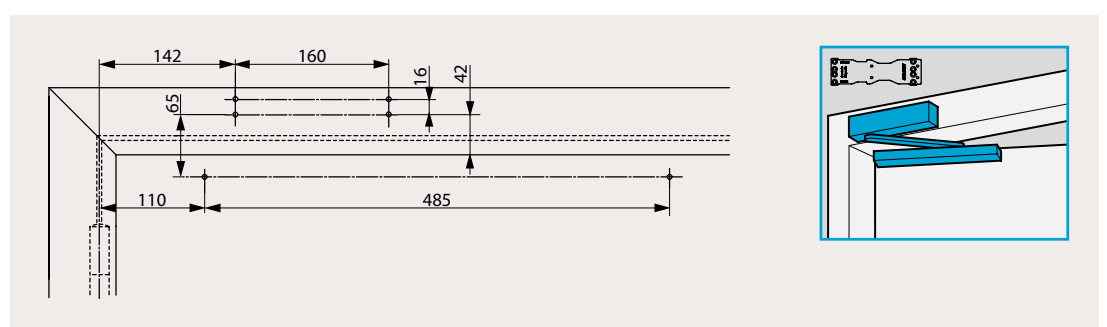
Direct frame mounting on non-hinge side

The drawing illustrates installation on right-handed doors. For left-handed doors, it is the reverse.



Mounting plate frame mounting on non-hinge side

The drawing illustrates installation on right-handed doors. For left-handed doors, it is the reverse.

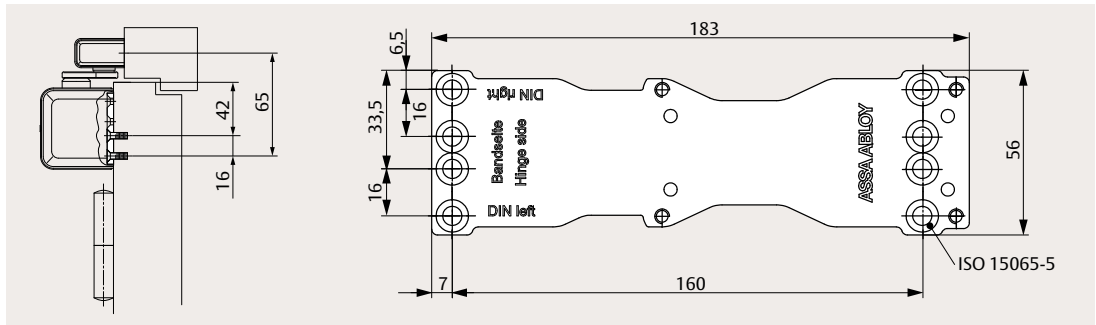


DC500

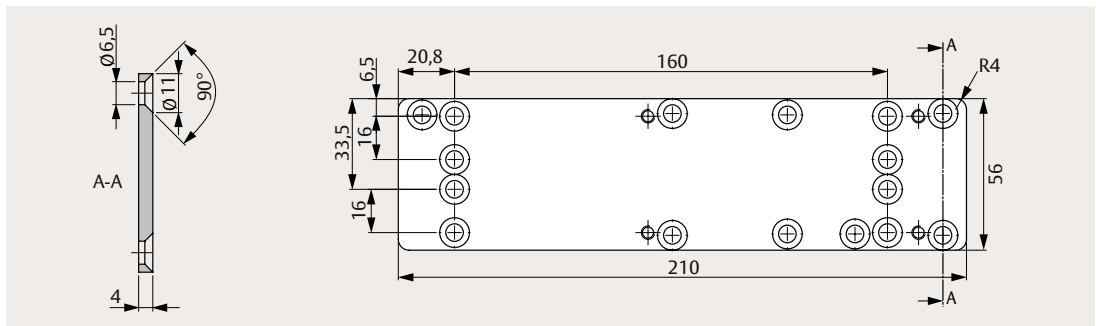
Accessories

The full list of accessories is available under order information.

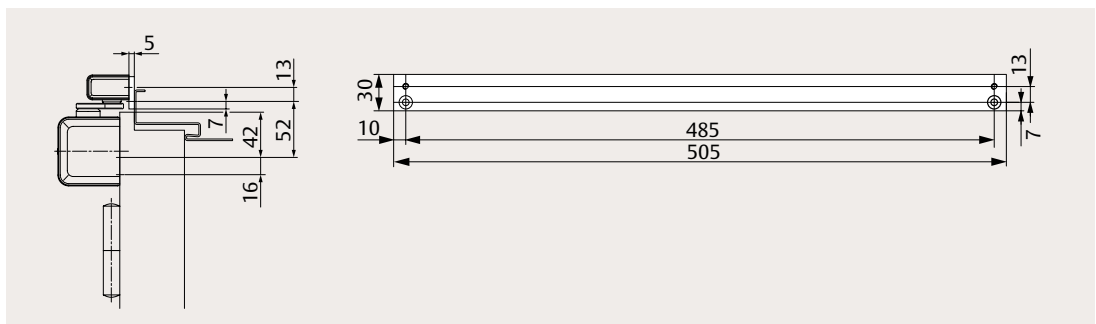
A120 mounting plate
for door closer;
in compliance with DIN
EN 1154, supplement 1



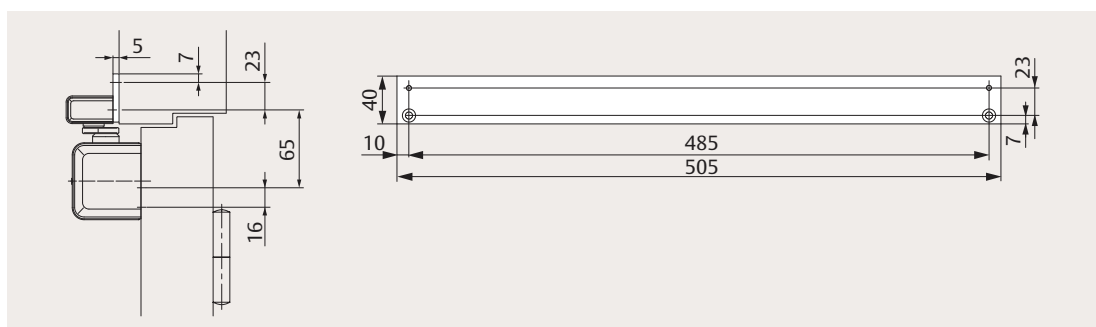
A124 replacement plate
for renovation
applications



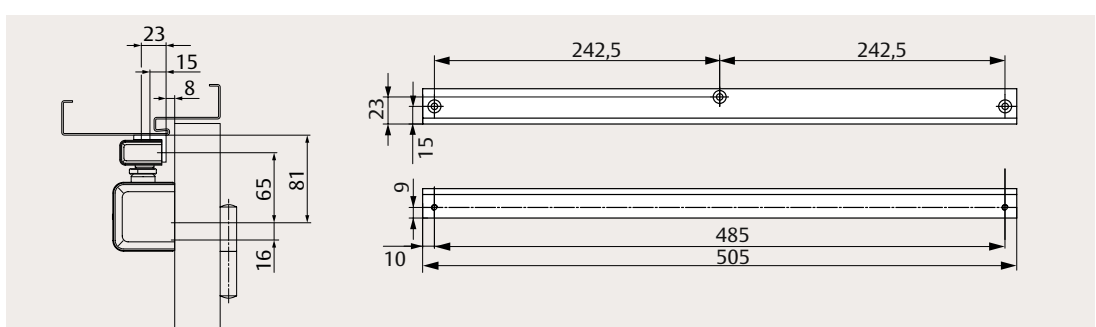
A130 mounting plate
for guide rail



**A136 mounting plate,
40 mm**
for guide rail;
non-hinge side use



A104 angle bracket
for guide rail



DC500

Order information



Door closers

DC500, EN size 1-4, silver, EV1	DC500-----DEV1-
DC500, EN size 1-4, white, similar to RAL 9016	DC500-----D9016
DC500, EN size 1-4, brown, similar to RAL 8014	DC500-----D8014
DC500, EN size 1-4, black, similar to RAL 9005	DC500-----D9005
DC500, EN size 1-4, stainless steel design	DC500-----D35--
DC500, EN size 1-4, stainless steel, full cover	DC500-1---D35--
DC500, EN size 1-4, customized finish	DC500-----DXXXX
DC500Basic, EN size 1-4, without backcheck, silver, plastic cover	DC501-----PDSIL-

Guide rails

Guide rail G195, silver, EV1	DCG195----DEV1-
Guide rail G195, white, similar to RAL 9016	DCG195----D9016
Guide rail G195, brown, similar to RAL 8014	DCG195----D8014
Guide rail G195, black, similar to RAL 9005	DCG195----D9005
Guide rail G195, stainless steel	DCG195----D35--
Guide rail G195, customized finish	DCG195----DXXXX
Guide rail G193, silver, EV1	DCG193-----EV1-
Guide rail G193, white, similar to RAL 9016	DCG193-----9016
Guide rail G193, brown, similar to RAL 8014	DCG193-----8014
Guide rail G193, black, similar to RAL 9005	DCG193-----9005

Accessories

Mounting plate A120, galvanized	DCA120-----40
Mounting plate A130, silver, EV1	DCA130-----EV1-
Mounting plate A130, white, similar to RAL 9016	DCA130-----9016
Mounting plate A130, brown, similar to RAL 8014	DCA130-----8014
Mounting plate A130, black, similar to RAL 9005	DCA130-----9005
Mounting plate A130, customized finish	DCA130-----XXXX
Mounting plate A136, silver, EV1	DCA136-----EV1-
Angle bracket A104, silver, EV1	DCA104-----EV1-
Angle bracket A104, white, RAL 9016	DCA104-----9016
Angle bracket A104, brown, similar to RAL 8014	DCA104-----8014
Angle bracket A104, black, similar to RAL 9005	DCA104-----9005
Replacement plate A124, galvanized	DCA124-----40
Glass door shoe A166, silver, EV1	DCA166-----EV1-
Screening plate A190, stainless steel	DCA190-----35--
Universal drilling gauge A176	DCA176-----
Mechanical hold-open device A152	DCA152-----
Mechanical opening damper A153	DCA153-----

DC500, silver



DC500, white



DC500, brown



DC500, black



DC500, SS design



DC500, SS full cover



G195, silver



G193, silver



A130



A136



A104



A120



A124



A166



A190



A176



A152



A153



The ASSA ABLOY Group is the global leader in access solutions. Every day, we help billions of people experience a more open world.

ASSA ABLOY Opening Solutions leads the development within door openings and products for access solutions in homes, businesses and institutions. Our offering includes doors, door and window hardware, locks, access control and service.

ASSA ABLOY
Opening Solutions

ASSA ABLOY Opening Solutions EMEIA
Dukes Court
Dukes Street
Woking
GU21 5BH
United Kingdom
assaabloy.com