

## DC140



## ASSA ABLOY DC140

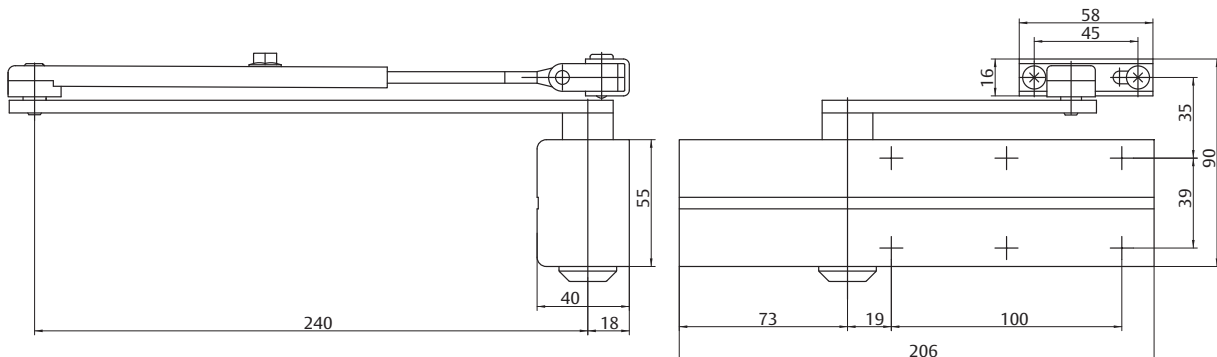
- Rack and pinion door closer with link arm
- Certified in compliance with DIN EN 1154, size 2/3/4
- For single action doors up to 1,100 mm wide

## Characteristics DC140

- Can be used for left and right-hand doors
- Suitable for fire and smoke protection doors
- Closing speed, latching speed and backcheck continuously adjustable using regulation valves
- Thermodynamic valves for consistent performance
- Closing force configurable
- Opening angle up to 180°
- Standard colours: silver EV1; white, similar to RAL9016; brown, similar to RAL8014; black, similar to RAL9005



CE	ASSA ABLOY Sicherheitstechnik GmbH Bildstockstraße 20 72458 Albstadt	11
	1162-CPD-0534	
	EN 1154:1996+A1:2002 +AC:2006	4 8 2/3/4 1 1 4
Dangerous substances: None		



Here you can see the individual advantages of our door closer models for your respective field of business.

## The advantages at a glance

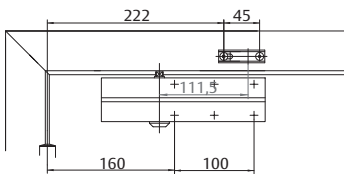
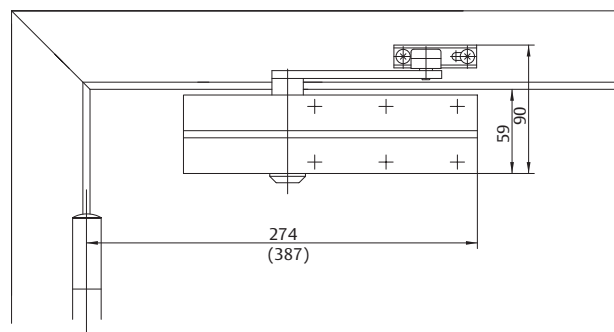
Customer segment	Advantages
Architects & specifiers	- Compact design - Modern design - Favourably priced, reliable closer model
Builders & installers	- Quick and easy installation - Can be used for left and right-hand doors - Easy to adjust
Trade	- Inexpensive closer model for standard doors - All-inclusive package with door closer and link arm
User	- Largely unaffected by temperature fluctuations thanks to thermodynamic valves - Backcheck feature offers optimum protection for doors and walls

# DC140

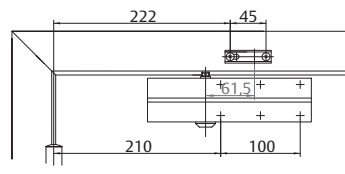
## Technical attributes

Technical attributes	
Closing force configurable	EN 2/3/4
Door widths up to	1100 mm
Fire and smoke protection	yes
DIN door swing directions	left / right hand door
Closing speed	Variable between 180°-0°
Latching speed	Variable between 15°-0°
Backcheck	Variable above 75°
Weight	1.75 kg
Height	55 mm
Depth	40 mm
Length	206 mm
Certified in compliance with	EN 1154
CE marking for building products	yes

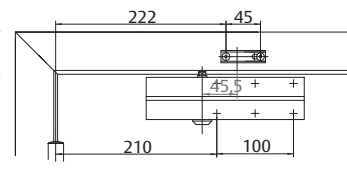
Required space on doors  
left hand shown in diagram  
right hand is the reverse



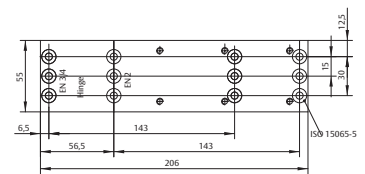
Installation dimensions EN2



Installation dimensions EN3



Installation dimensions EN4



Mounting Plate A161

You can find the complete specifications on the Internet at: [www.assaabloy.de](http://www.assaabloy.de), under „Service“ in the support section.

### Specifications for DC140

ASSA ABLOY Door Closer DC140 featuring rack & pinion technology in compliance with DIN EN 1154

- Closing force configurable, EN size 2/3/4, for doors up to 1,100 mm wide
- Closing speed, latching speed and backcheck continuously adjustable
- Suitable for fire and smoke protection doors
- With CE marking
- Suitable for left and right hand doors

### Colour:

- Silver EV1
- White, similar to RAL9016
- Brown, similar to RAL8014
- Black, similar to RAL9005

Description	Order no.
DC140 EN, size 2/3 (4), silver EV1	
DC140 EN size 2/3/4, white, similar to RAL9016	
DC140 EN size 2/3/4, brown, similar to RAL8014	
DC140 EN size 2/3/4, black, similar to RAL9005	

Description	Order no.
Mounting Plate A161, silver EV1	
Mounting Plate A161, white, similar to RAL9016	
Mounting Plate A161, brown, similar to RAL8014	
Mounting Plate A161, black, similar to RAL9005	