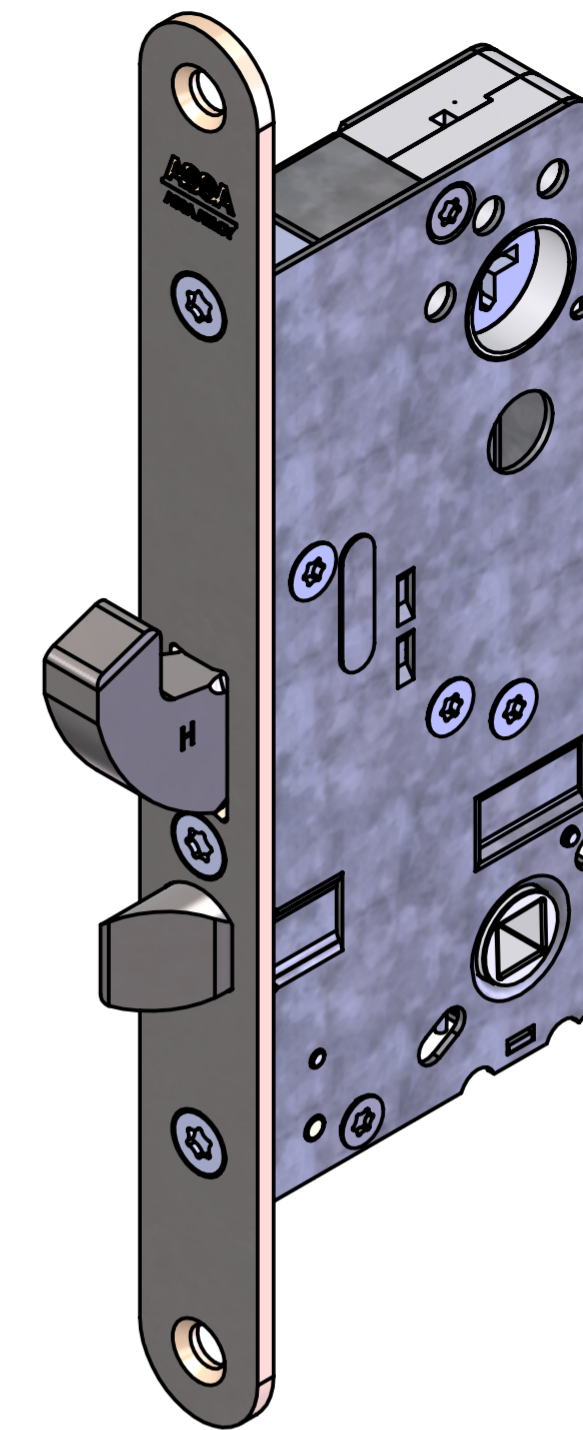
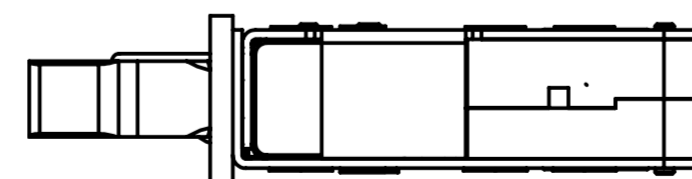
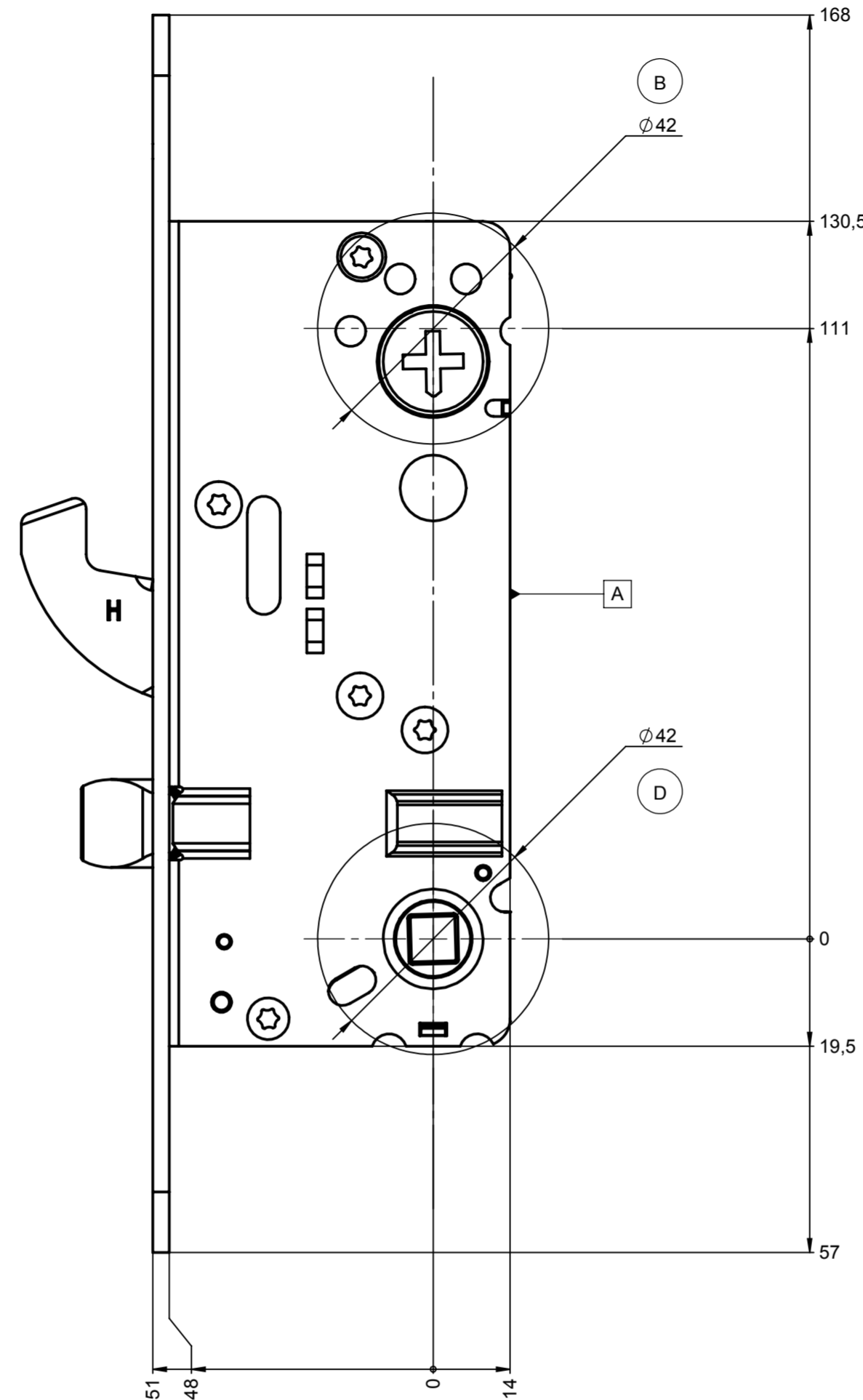
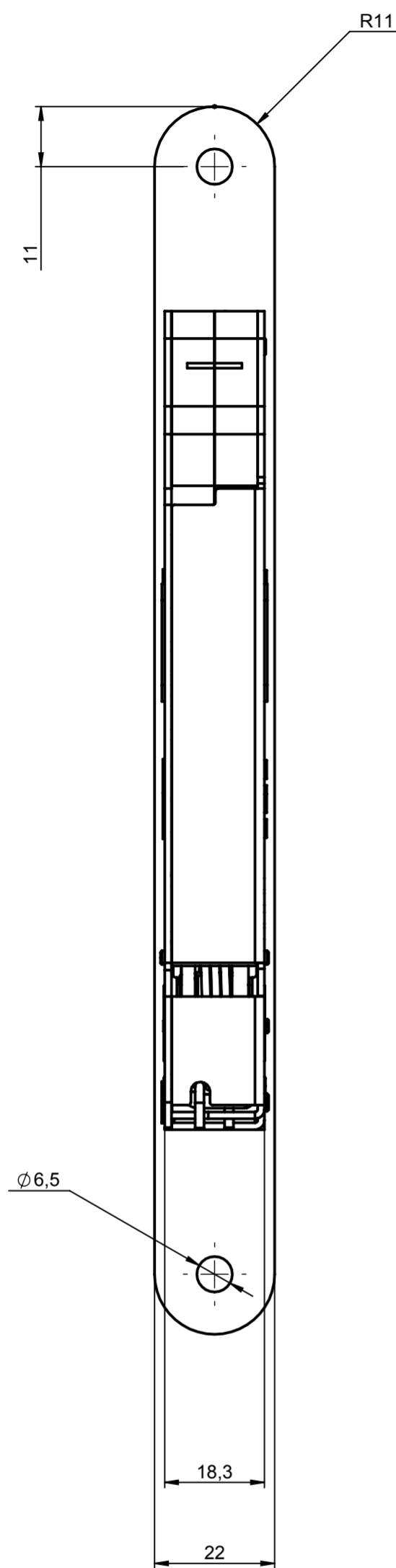


This document is our property and shall not without our permission be altered, copied, used for manufacturing or communicated to any other person or company.



Applicable products

Latchbolt + Deadbolt

- Assa 510-50 Connect
- Assa 2500-50 Connect

Notes:

- Products with microcomponents require minimum 10 mm space behind surface "A".
- All dimensions apart from "B" and "D" are nominal.

Surface:			Material:			General tolerance:		
Volume: 0.00	Weight: 0.00	Surface area:	created: 2013-07-22	designed by: MaHi	changed by:	Scale: 1:2 (A2)	Projection:	
ASSA ABLOY ASSA OEM			Mortise drawing Lockcase 510, 2500 Connect			Drawing number: 01 000056763 <small>is the valid ID if displayed</small>		
						Document:	Item number:	Revision:
						1		