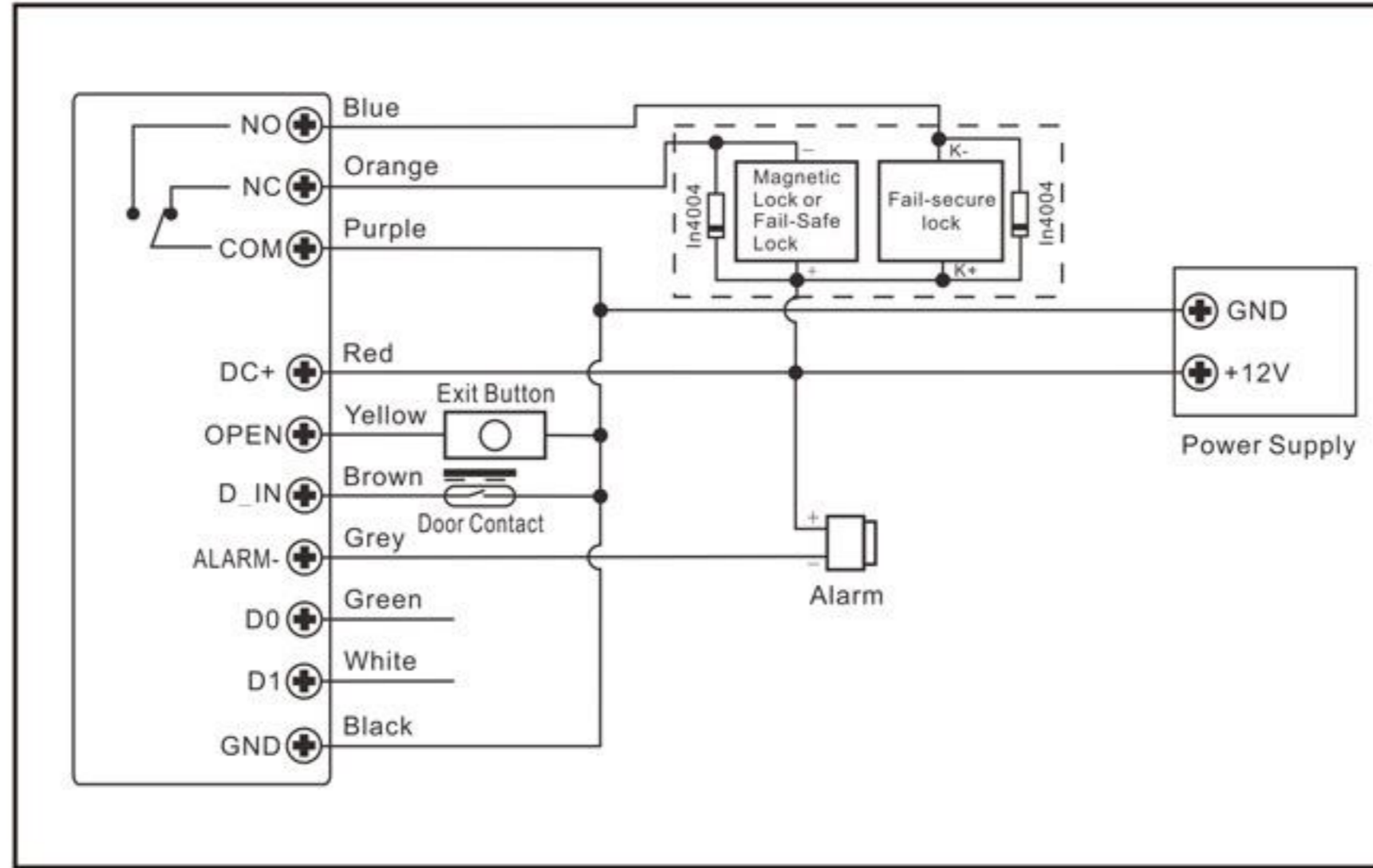


User Capacity Common User Visitor User Panic User	1000 988 (100 Fingerprint Users + 888 PIN/Card Users) 10 2
PIN Length	4~6 digits
Operating Voltage Idle Current Active Current	12~18V DC ≤ 60mA ≤ 150mA
Proximity Card Reader Radio Technology Read Range	EM or Mifare 125KHz/13.56MHz 2~6cm
Wiring Connections	Relay output, exit button, alarm, door contact, Wiegand input/output
Relay Adjustable Relay Output Time Lock Output Load	One (NO, NC, Common) 0~99 Seconds (5 seconds default) 2 Amp Maximum
Wiegand Interface PIN Output	EM card version: Wiegand 26~44 bits input & output (Factory default: Wiegand 26bits) Mifare card version:Wiegand 26~44 bits,56bits,58bits input & output (Factory default: Wiegand 34bits) 4 bits,8bits (ASCII),10 digits Virtual Number(Factory default:4bits)
Environment Operating Temperature Operating Humidity	Meets IP66 -30°C ~ 60°C (-22°F ~ 140°F) 0%RH ~ 98%RH
Physical Color Dimensions Unit Weight Shipping Weight	Zinc-Alloy Sliver & Black L148 x W43.5 x H22 (mm) 330g 405g

Common Power Supply



Special Power Supply

