

GV-LPC1200 1 MP 10x Zoom B/W Network Camera

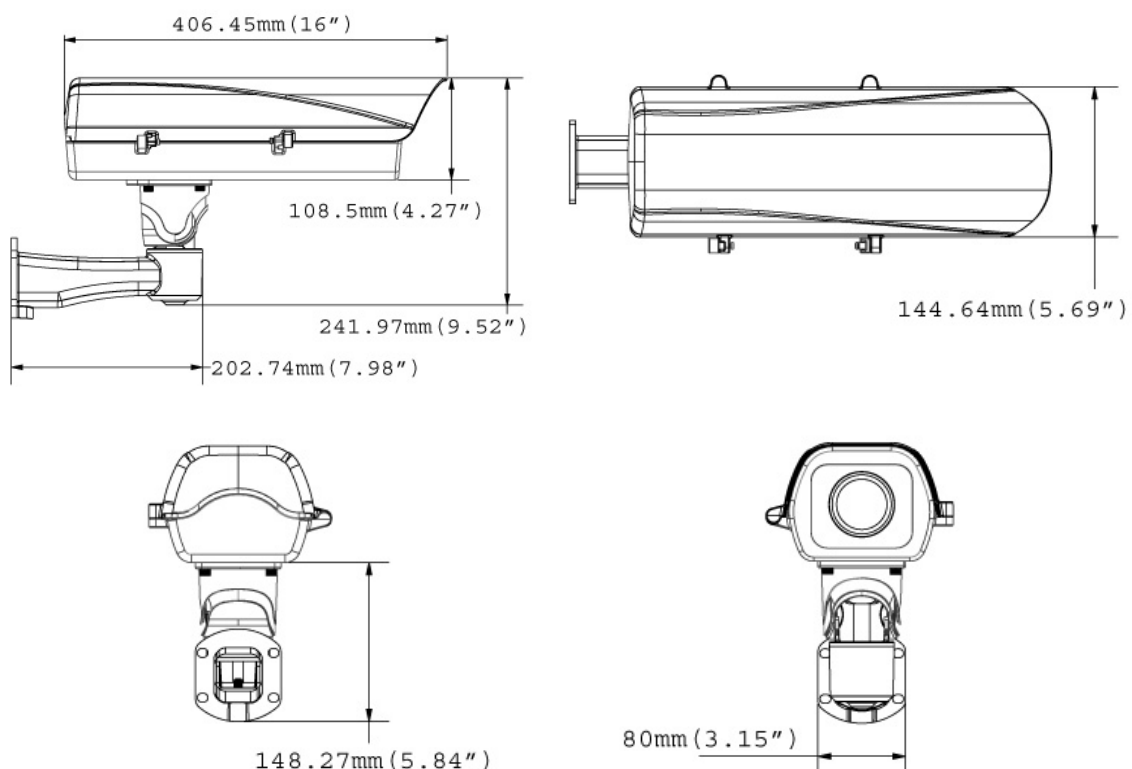


- Megapixel B/W progressive scan CCD
- Motorized varifocal lens for remote focus / zoom adjustment
- Dual streams from MJPEG or H.264
- Up to 30 fps at 1280 x 720
- Maximum speed 200 km/h (124.27 mph)
- Recognition for reflective License Plate only
- Vandal resistance (IK10 for metal casing)
- Ingress protection (IP67)
- Maximum IR distance 20 m (65.6 ft)
- Built-in heater and fan
- Support for TV-out
- 10x optical zoom
- Two-way audio
- Support for I/O (2 in / 2 out)
- Defog
- Motion detection
- Text overlay
- IP address filtering
- Supports iPhone, iPad, Android & 3GPP
- ONVIF (Profile S) conformant
- 30 languages on Web interface

Introduction

GV-LPC1200 is a 1 MP B/W network camera designed for recognition of reflective license plates on vehicles traveling at 200 km/h (124.27 mph) or less. With its multiple high power LEDs and intelligent IR, the camera is able to automatically adjust its shutter speed to the scene and produce clear license plate capture for one lane under low-light conditions. The motorized varifocal lens take the advantage of its motorized focus / zoom in that the user can remotely adjust the focus and zoom through the Web interface. It is weather proof (IP67) and also able to work in environments with temperatures ranging from -40°C (-40°F) to 50°C (122°F).

Dimensions



Comparison with other Outdoor GV-IP Cameras

| | Headlight Turned On | High Beam Turned On |
|--|---------------------|---------------------|
| GV-LPC1200 GV-LPR1200 GV-LPC1100 GV-IP LPR Cam 5R | | |
| GV-BL1500 Super Low Lux Bullet IP Cam | | |
| GV-BL2400 WDR Pro Bullet IP Cam | | |

Note: The test results are based on the night scene. All cameras are installed at the distance of 10 m (32.81 ft) from the vehicle, with the resolution set as 1 MP or 1.3 MP and the shutter speed set as 1/2000 sec.

Specifications

| Camera | | |
|------------------------|--|---|
| Image Sensor | Megapixel B/W progressive scan CCD | |
| Picture Elements | 1280 (H) x 720 (V) | |
| Shutter Speed | Automatic: 1/1000 ~ 1/10000 sec Manual: 1/250 ~ 1/2000 sec | |
| S/N Ratio | 52 dB | |
| Max. Speed | 200 km/h (124.27 mph) | |
| Lens | | |
| Megapixel | 1 MP | |
| Lens Type | Motorized varifocal lens | |
| Focal Length | 4.7 mm ~ 47 mm | |
| Maximum Aperture | F/3.5 | |
| Image Format | 1.3" | |
| Horizontal FOV | 59.9° ~ 6.4° | |
| Operation | Focus | Auto |
| | Zoom | 10x optical zoom |
| | Iris | Auto |
| IR LED Quantity | 8 high power IR LEDs | |
| IR Distance | 10 ~ 20 m (32.8 ~ 65.6 ft) | |
| Operation | | |
| Video Compression | H.264, MJPEG | |
| Video Stream | Dual streams from H.264 and MJPEG | |
| Frame Rate | 30 fps at 1280 x 720 (60/50 Hz) * The frame rate and the performance may vary depending on the number of connections and data bitrates (different scenes) | |
| Image Setting | Brightness, Contrast, Sharpness, Gamma, Image Orientation, Shutter Speed, Defog, Maximum Video Gain | |
| Audio Compression | G.711, AAC (Optional) | |
| Audio Support | Two-way audio | |
| Video Resolution | | |
| Main Stream | 1280 x 720 (16:9) | |
| Sub Stream | 640 x 360 (16:9) | |
| TV-Out | BNC connector (640 x 480 resolution) | |
| Network | | |
| Interface | 10/100/1000 Base-T Ethernet, RJ-45 connector | |
| Protocol | DHCP, DynDNS, FTP, HTTP, HTTPS, NTP, ONVIF (Profile S), PSIA, QoS (DSCP), RTSP, SMTP, SNMP, TCP, UDP, UPnP, 3GPP/ISMA | |
| Mechanical | | |
| Temperature Detector | Yes | |
| Camera Adjustment | Pan | 0° ~ 330° |
| | Tilt | 0° ~ 90° |
| Connectors | Power | DC 12V |
| | Ethernet | RJ-45 |
| | Audio | 1 In (microphone jack, 3.5 mm / 0.14") 1 Out (stereo phone jack, 3.5 mm / 0.14") |
| | Digital I/O | 2 In / 2 Out |
| | TV-Out | BNC connector (640 x 480 resolution) |
| | Mini USB | Mini USB port on the circuit board (for UMTS) |
| LED Indicator | N/A | |
| Max. Power Consumption | 54 W | |
| Dimensions | Without support rack | 406 x 145 x 109 mm (16" x 5.7" x 4.3") |
| Cable Length | 1 m (3.28 ft) | |

| General | | |
|---------------------------|----------------------|--|
| Operating Temperature | | -40°C ~ 50°C (-40°F ~ 122°F) |
| Humidity | | 10% ~ 90% (non-condensing) |
| Power Source | | DC 12V, 5A |
| Max. Power Consumption | | 54 W |
| Dimensions | Without support rack | 406 x 145 x 109 mm (16" x 5.7" x 4.3") |
| Cable Length | | 1 m (3.28 ft) |
| Weight | With support rack | 3.32 kg (7.32 lb) |
| | Without support rack | 2.62 kg (5.78 lb) |
| Ingress Protection | | IP67 |
| Vandal Resistance | | IK10 for metal casing |
| Heater On | | -40°C ~ 5°C (-40°F ~ 41°F) |
| Fan | | Constantly On |
| Regulatory | | CE, FCC, RCM, RoHS compliant |
| Web Interface | | |
| Installation & Management | | Web-based configuration |
| Firmware Upgrade | | Remote upgrade through Web Browser GV-IP Device Utility included in the Software DVD |
| Access from Web Browser | | Live View, Video Quality, Bandwidth Control, Image Snapshot, Audio, Picture in Picture, Picture and Picture, Text Overlay |
| Language | | Arabic / Bulgarian / Czech / Danish / Dutch / English / French / German / Greek / Hebrew / Hungarian / Indonesian / Italian / Japanese / Lithuanian / Norwegian / Persian / Polish / Portuguese / Romanian / Russian / Serbian / Simplified Chinese / Slovakian / Slovenian / Spanish / Swedish / Thai / Traditional Chinese / Turkish |
| Applications | | |
| Network Storage | | GV-System (GV-DVR/NVR), GV-VMS, GV-Recording Server |
| Smart Device Access | | GV-Eye for Android and iOS Embedded 3GPP/ISMA browser |
| Live Viewing | | IE, GV-Edge Recording Manager |
| CMS Server support | | GV-Control Center, GV-Center V2, GV-Vital Sign Monitor |
| LPR Management | | GV-ASManager |

Note: Specifications are subject to change without notice.

Accessory

| Model No | Name | Details | |
|-------------------------------|--|---|---|
| GV-Mount300 | Convex Corner Adapter Kit |  | Dimensions: 238.6 x 409.5 mm (9.4 x 16.1") Weight: 4.27 kg (9.41 lbs) |
| GV-Mount310 | Concave Corner Adapter Kit |  | Dimensions: 123.3 x 393.1 mm (4.9 x 15.5") Weight: 2.96 kg (6.53 lbs) |
| GV-Mount400 | Pole Mount Bracket Kit (\varnothing 4" ~ 6") |  | Bracket: 241 x 161 mm (9.5 x 6.3") Weight: 1.70 kg (3.75 lbs) Steel Strap Diameter: \varnothing 4" ~ 6" |
| GV-Mount410 | Pole Mount Bracket Kit (\varnothing 6" ~ 7.5") |  | Bracket: 241 x 161 mm (9.5 x 6.3") Weight: 1.70 kg (3.75 lbs) Steel Strap Diameter: \varnothing 6" ~ 7.5" |
| GV-POE Switch | | The GV-POE Switch can be used for data transmission only. It does not provide power to GV-IP LPR cameras. | |

Packing List

- The GV-LPC1200 camera
- Screw Anchor x 4
- Screw x 4
- Washer x 4
- Torx Wrench x 1
- Power Adapter (DC 12V, 5A)
- AC Power Cord
- Silica Gel Bag x 1
- Adhesive tape for Silica Gel Bag x 1
- GV-IP LPR Camera Software CD
- GV-NVR Software DVD
- GV-ASManager Software DVD
- GV-LPR Camera Installation Guide
- Warranty Card